

FCC2528C

High Power, High Isolation

Features:
 * High Power
 * High Isolation
 * Low Insertion Loss
 * Low VSWR

Applications:
 * Wireless
 * Radar
 * Laboratory Test

Description

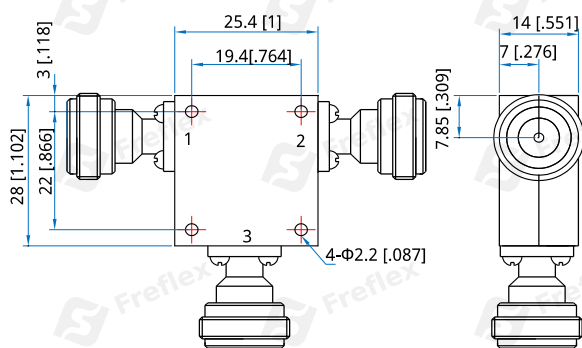
FCC2528C series Coaxial Circulators cover frequency range 2.7~6.2GHz. High power, high isolation and low insertion loss make it ideal for a lot of applications like amplifiers, transceivers, etc.

Specifications

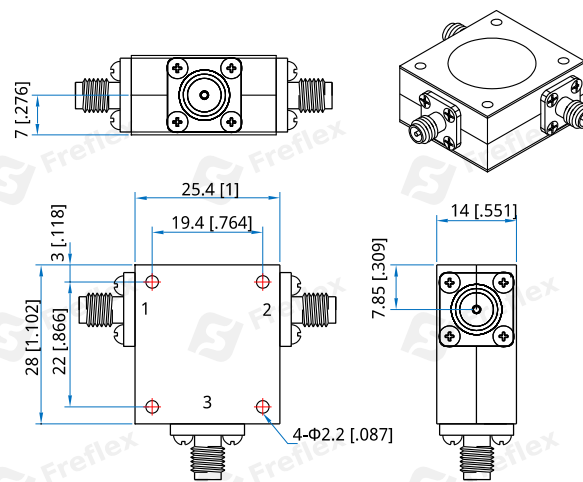
Frequency (MHz)	Bandwidth (MHz)	IL (dB Max.)	Isolation (dB Min.)	VSWR (Max.)	Average Power* ¹ (W)	Connector	Temperature (°C)
2700~6200	3500	0.80	16.0	1.40	60	SMA, N	0~+60
3000~6000	3000	0.50	18.0	1.30	100	SMA, N	-30~+75
3000~6000	500	0.40	20.0	1.25	100, 150	SMA, N	0~+60
5000~6000	1000	0.40	20.0	1.25	100, 150	SMA, N	0~+60

[1] The connector is SMA, and the maximum average power can only reach 100W

Outline Drawings



Outline A



Outline B

Unit: mm [inch] Tolerance: ±0.2mm [±0.008in]

Mechanical

Size^{*2}: 25.4*28*14mm
 1*1.102*0.551in

Mounting: 4-Φ2.2mm through-hole

[2] Exclude connectors

How To Order

FCC2528C-V-W-X-Y-Z

V: Start frequency in MHz

W: Stop frequency in MHz

X: Average power in W

Y: Connector type

Z: Direction type

Connector Naming Rules:

N - N Female (Outline A)
S - SMA Female (Outline B)

Direction Naming Rules:

1 - Clockwise
2 - Anticlockwise

Examples:

To order a FCC2528C series Circulator, 2700~6200MHz, 100W, SMA female, Clockwise, specify FCC2528C-2700-6200-K1-S-1.

Customization is available upon request.