

FCC2528X

High Power, High Isolation

Features:

- * High Power
- * High Isolation
- * Low Insertion Loss
- * Low VSWR

Applications:

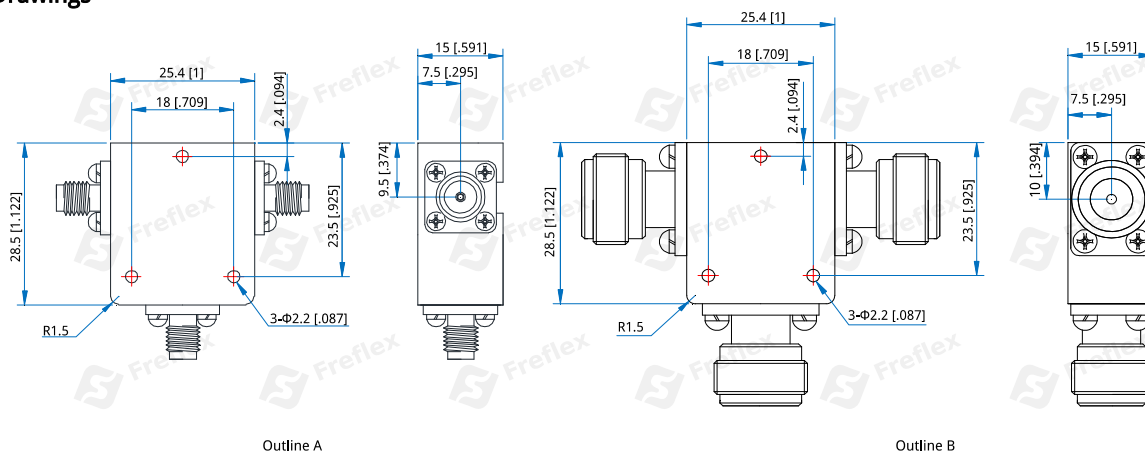
- * Wireless
- * Radar
- * Laboratory Test

Description

FCC2528X series Coaxial Circulators cover frequency range 1.03~2.5GHz. High power, high isolation and low insertion loss make it ideal for a lot of applications like amplifiers, transceivers, etc.

Specifications

Frequency (MHz)	Bandwidth (MHz)	IL (dB Max.)	Isolation (dB Min.)	VSWR (Max.)	Average Power (W)	Connector	Temperature (°C)
1030~1090	60	0.40	20.0	1.25	100	SMA	-30~+75
1200~1400	200	0.40	20.0	1.25	100	SMA	-30~+75
1200~1600	400	0.70	16.0	1.40	100	SMA	-30~+75
2400~2500	100	0.50	20.0	1.25	100	N	-30~+70

Outline Drawings


Unit: mm [inch] Tolerance: ±0.2mm [±0.008in]

Mechanical

Size*1: 25.4*28.5*15mm
1*1.122*0.591in

Mounting: 3-Φ2.2mm through-hole

[1] Exclude connectors

Connector Naming Rules:

S - SMA Female (Outline A)
N - N Female (Outline B)

Direction Naming Rules:

1 - Clockwise
2 - Anticlockwise

How To Order
FCC2528X-V-W-X-Y-Z

V: Start frequency in MHz
W: Stop frequency in MHz
X: Average power in W
Y: Connector type
Z: Direction type

Examples:

To order a FCC2528X series Circulator, 1200~1400MHz, 100W, SMA female, Clockwise, specify FCC2528X-1200-1400-K1-S-1.

Customization is available upon request.