

FCC3030B

High Power, High Isolation

Features:
 * High Power
 * High Isolation
 * Low Insertion Loss
 * Low VSWR

Applications:
 * Wireless
 * Radar
 * Laboratory Test

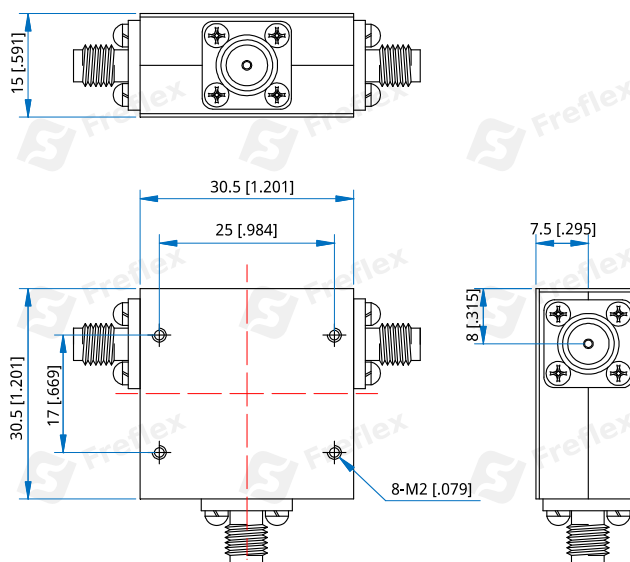
Description

FCC3030B series Drop-In Circulators cover frequency range 2~6GHz. High power, high isolation and low insertion loss make it ideal for a lot of applications like amplifiers, transceivers, etc.

Specifications

Frequency (MHz)	Bandwidth (MHz)	Insertion Loss (dB Max.)	Isolation (dB Min.)	VSWR (Max.)	Average Power (W)	Temperature (°C)
2000~6000	4000	1.7	12	1.6	20	-40~+70

Outline Drawings



Unit: mm [inch] Tolerance: $\pm 0.2\text{mm}$ [$\pm 0.008\text{in}$]

Mechanical

Size^{*1}: 30.5*30.5*15mm
 1.201*1.201*0.591in
 RF Connectors: SMA Female
 Mounting: 8-M2mm through-hole

[1] Exclude connectors

Direction Naming Rules:

1 - Clockwise
 2 - Anticlockwise

How To Order

FCC3030B-V-W-X-Y-Z

V: Start frequency in MHz
 W: Stop frequency in MHz
 X: Average power in W
 Y: Connector type
 Z: Direction type

Connector Naming Rules:

S - SMA Female

Coaxial Circulator

Examples:

To order a FCC3030B series Circulator, 2~6GHz, 20W, SMA Female,
Clockwise, specify FCC3030B-2000-6000-20-S-1.

Customization is available upon request.