

FCC3232X

High Power, High Isolation

Features:

- * High Power
- * High Isolation
- * Low Insertion Loss
- * Low VSWR

Applications:

- * Wireless
- * Radar
- * Laboratory Test

Description

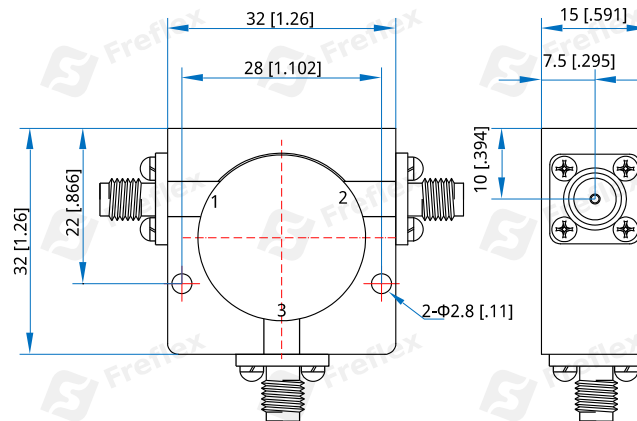
FCC3232X series Coaxial Circulators cover frequency range 700~3000MHz. High power, high isolation and low insertion loss make it ideal for a lot of applications like amplifiers, transceivers, etc.

Specifications

| Frequency (MHz) | Bandwidth (MHz) | IL (dB Max.) | Isolation (dB Min.) | VSWR (Max.) | Average Power* ¹ (W) | Connector | Temperature (°C) |
|--------------------|--------------------|-----------------|------------------------|----------------|------------------------------------|-----------|---------------------|
| 700~1300 | 100 | 0.30 | 23.0 | 1.20 | 100~200 | SMA, N | -30~+70 |
| 700~1300 | 200 | 0.40 | 20.0 | 1.25 | 100~200 | SMA, N | -30~+70 |
| 700~900 | 200 | 0.40 | 20.0 | 1.25 | 100~200 | SMA, N | -30~+70 |
| 800~1000 | 200 | 0.40 | 20.0 | 1.25 | 100~200 | SMA, N | -30~+70 |
| 890~960 | 70 | 0.25 | 25.0 | 1.15 | 100~200 | SMA, N | -30~+70 |
| 950~1450 | 500 | 0.60 | 15.0 | 1.45 | 100~200 | SMA, N | -30~+70 |
| 960~1215 | 255 | 0.30 | 21.0 | 1.20 | 100~200 | SMA, N | -30~+70 |
| 960~1260 | 300 | 0.45 | 20.0 | 1.25 | 100~200 | SMA, N | -30~+70 |
| 1030~1090 | 60 | 0.25 | 25.0 | 1.15 | 100~200 | SMA, N | -30~+70 |
| 1290~1310 | 20 | 0.25 | 25.0 | 1.15 | 100~200 | SMA, N | -30~+70 |
| 1300~3000 | 200 | 0.30 | 23.0 | 1.20 | 100~200 | SMA, N | -30~+70 |
| 1300~3000 | 300 | 0.45 | 18.0 | 1.30 | 100~200 | SMA, N | -30~+70 |
| 1350~1850 | 500 | 0.60 | 15.0 | 1.45 | 100~200 | SMA, N | -30~+70 |
| 1400~1700 | 300 | 0.45 | 20.0 | 1.25 | 100~200 | SMA, N | -30~+70 |
| 1700~2300 | 600 | 0.50 | 20.0 | 1.25 | 100~200 | SMA, N | -30~+70 |
| 1900~2200 | 300 | 0.40 | 20.0 | 1.25 | 100~200 | SMA, N | -30~+70 |
| 2100~2700 | 600 | 0.50 | 18.0 | 1.35 | 100~200 | SMA, N | -30~+70 |
| 2200~2400 | 200 | 0.30 | 23.0 | 1.20 | 100~200 | SMA, N | -30~+70 |
| 2300~2700 | 400 | 0.40 | 20.0 | 1.25 | 100~200 | SMA, N | -30~+70 |
| 2500~2700 | 200 | 0.30 | 23.0 | 1.20 | 100~200 | SMA, N | -30~+70 |
| 2700~2900 | 200 | 0.30 | 23.0 | 1.20 | 100~200 | SMA, N | -30~+70 |
| 2800~3000 | 200 | 0.30 | 23.0 | 1.20 | 100~200 | SMA, N | -30~+70 |

[1] The connector is SMA, and the maximum average power can only reach 100W

Outline Drawings



Unit: mm [inch] Tolerance: $\pm 0.2\text{mm}$ [$\pm 0.008\text{in}$]

Mechanical

Size^{*2}: 32*32*15mm
 1.26*1.26*0.591in
 Mounting: 2- $\Phi 2.8\text{mm}$ through-hole

[2] Exclude connectors

Connector Naming Rules:

S - SMA Female

Direction Naming Rules:

- 1 - Clockwise
- 2 - Anticlockwise

How To Order

FCC3232X-V-W-X-Y-Z

- V: Start frequency in MHz
- W: Stop frequency in MHz
- X: Average power in W
- Y: Connector type
- Z: Direction type

Examples:

To order a FCC3232X series Circulator, 700~1300MHz, 100W, SMA female, Clockwise, specify FCC3232X-700-1300-K1-S-1.

Customization is available upon request.