

FCC3538X

High Power, High Isolation

Features:

- * High Power
- * High Isolation
- * Low Insertion Loss
- * Low VSWR

Applications:

- * Wireless
- * Radar
- * Laboratory Test

Description

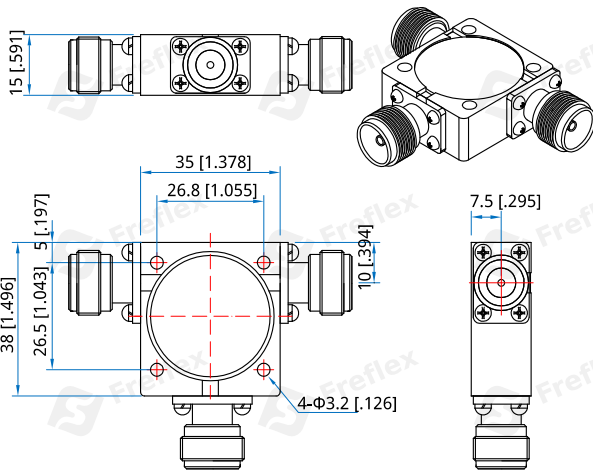
FCC3538X series Coaxial Circulators cover frequency range 300~1850MHz. High power, high isolation and low insertion loss make it ideal for a lot of applications like amplifiers, transceivers, etc.

Specifications

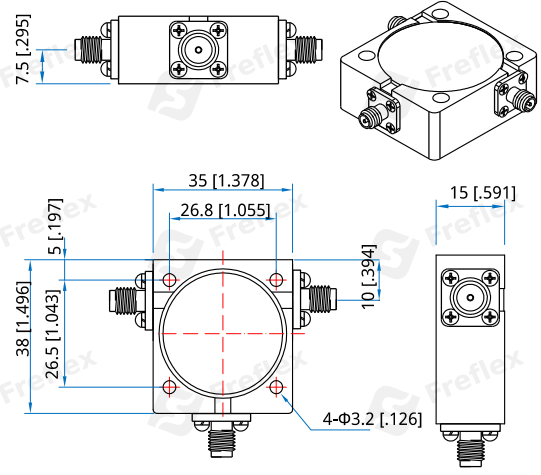
Frequency (MHz)	Bandwidth (MHz)	IL (dB Max.)	Isolation (dB Min.)	VSWR (Max.)	Average Power*1 (W)	Connector	Temperature (°C)
300-350	50	0.70	18.0	1.35	100~300	SMA, N	-30~+70
300-400	20	0.40	20.0	1.25	100~300	SMA, N	-30~+70
350-370	20	0.40	23.0	1.20	100~300	SMA, N	-30~+70
361-366	5	0.40	23.0	1.20	100~300	SMA, N	-30~+70
380-460	80	0.70	17.0	1.35	100	SMA, N	-30~+70
400-470	70	0.40	20.0	1.25	100~300	SMA, N	-30~+70
400-600	20	0.30	23.0	1.20	100~300	SMA, N	-30~+70
400-600	50	0.40	20.0	1.25	100~300	SMA, N	-30~+70
470-570	100	0.40	20.0	1.25	100~300	SMA, N	-30~+70
500-700	200	0.70	18.0	1.30	100~300	SMA, N	-30~+70
600-800	30	0.25	25.0	1.15	100~300	SMA, N	-30~+70
600-800	100	0.30	23.0	1.20	100~300	SMA, N	-30~+70
600-800	200	0.45	19.0	1.25	100~300	SMA, N	-30~+70
700-900	200	0.40	20.0	1.25	100	N	-30~+75
700-1000	30	0.25	25.0	1.15	100~300	SMA, N	-30~+70
700-1000	100	0.30	23.0	1.20	100~300	SMA, N	-30~+70
700-1000	200	0.50	18.0	1.30	100~300	SMA, N	-30~+70
750-960	210	0.40	20.0	1.25	100	SMA	-30~+75
900-1350	450	0.65	16.0	1.40	100~300	SMA, N	-30~+75
950-1450	500	0.60	18.0	1.30	100~300	SMA, N	-30~+70
960-1160	200	0.40	20.0	1.25	200	SMA	-30~+70
960-1200	240	0.40	20.0	1.25	100	N	-30~+75
960-1215	255	0.40	20.0	1.25	100~300	SMA, N	-30~+70
960-1250	290	0.50	18.0	1.30	150	N	-30~+75
960-1260	300	0.45	20.0	1.25	100~300	SMA, N	-30~+70
1000-1500	500	0.70	15.0	1.50	200	N	-30~+75
1020-1040	20	0.25	25.0	1.15	100~300	SMA, N	-30~+70
1160-1610	450	0.50	20.0	1.25	100~300	SMA, N	-30~+70
1290-1310	20	0.25	25.0	1.15	100~300	SMA, N	-30~+70
1350-1850	500	0.50	20.0	1.25	100~300	SMA, N	-30~+70

[1] The connector is SMA, and the maximum average power can only reach 100W

Outline Drawings



Outline A



Outline B

Unit: mm [inch] Tolerance: $\pm 0.2\text{mm}$ [$\pm 0.008\text{in}$]

Mechanical

Size ^{*2} :	35*38*15mm
	1.378*1.496*0.591in
Mounting:	4-Φ3.2mm through-hole

[2] Exclude connectors

Connector Naming Rules:

- N - N Female (Outline A)
- S - SMA Female (Outline B)

Direction Naming Rules:

- 1 - Clockwise
- 2 - Anticlockwise

How To Order

FCC3538X-V-W-X-Y-Z

- V: Start frequency in MHz
- W: Stop frequency in MHz
- X: Average power in W
- Y: Connector type
- Z: Direction type

Examples:

To order a FCC3538X series Circulator, 310~340MHz, 100W, N female, Clockwise, specify FCC3538X-310-340-K1-N-1.

Customization is available upon request.