

FCC4149A

High Power, High Isolation

Features:

- * High Power
- * High Isolation
- * Low Insertion Loss
- * Low VSWR

Applications:

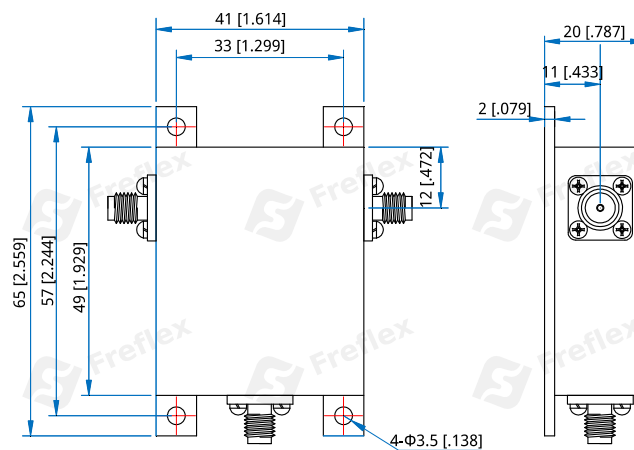
- * Wireless
- * Radar
- * Laboratory Test

Description

FCC4149A series Coaxial Circulators cover frequency range 0.6~1GHz. High power, high isolation and low insertion loss make it ideal for a lot of applications like amplifiers, transceivers, etc.

Specifications

Frequency (MHz)	Bandwidth (MHz)	IL (dB Max.)	Isolation (dB Min.)	VSWR (Max.)	Average Power (W)	Connector	Temperature (°C)
600-1000	400	1.0	16.0	1.4	100	SMA	-40~+60

Outline Drawings


Unit: mm [inch]

Tolerance: ±0.2mm [±0.008in]

Mechanical

Size*1: 41*49*20mm

1.614*1.929*0.787in

Mounting: 4-Φ3.5mm through-hole

[1] Exclude connectors

Connector Naming Rules:

S - SMA Female

Direction Naming Rules:

1 - Clockwise

2 - Anticlockwise

How To Order
FCC4149A-V-W-X-Y-Z

V: Start frequency in MHz

W: Stop frequency in MHz

X: Average power in W

Y: Connector type

Z: Direction type

Examples:

To order a FCC4149A series Circulator, 600~1000MHz, 100W, SMA female, Clockwise, specify FCC4149A-600-1000-K1-S-1.

Customization is available upon request.