

# FCC4550X

## High Power, High Isolation

**Features:**

- \* High Power
- \* High Isolation
- \* Low Insertion Loss
- \* Low VSWR

**Applications:**

- \* Wireless
- \* Radar
- \* Laboratory Test

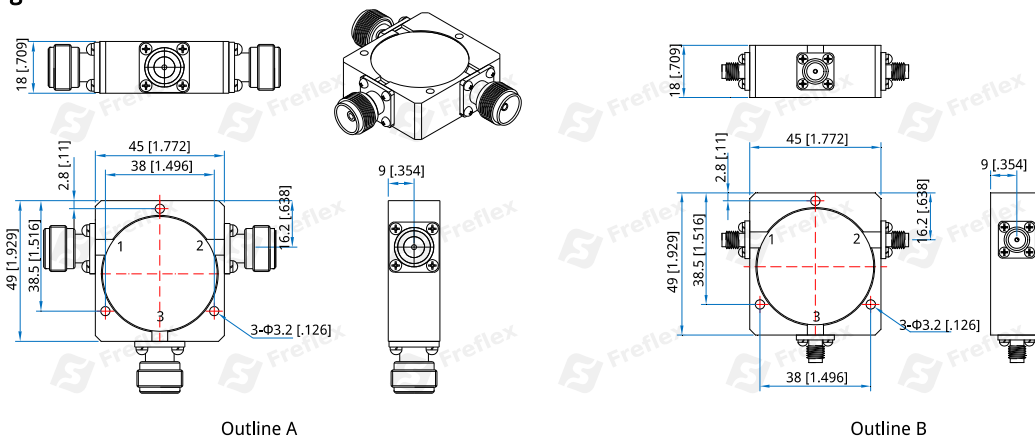
**Description**

FCC4550X series Coaxial Circulators cover frequency range 300~1100MHz. High power, high isolation and low insertion loss make it ideal for a lot of applications like amplifiers, transceivers, etc.

**Specifications**

Frequency (MHz)	Bandwidth (MHz)	IL (dB Max.)	Isolation (dB Min.)	VSWR (Max.)	Average Power* <sup>1</sup> (W)	Connector	Temperature (°C)
300~420	20	0.30	23.0	1.20	100~400	SMA, N	-30~+70
300~420	30	0.40	20.0	1.25	100~400	SMA, N	-30~+70
300~420	120	0.60	18.0	1.30	100~400	SMA, N	-30~+70
350~470	120	0.70	15.0	1.50	100	SMA	-30~+70
361~366	5	0.20	30.0	1.15	100~400	SMA, N	-30~+70
400~470	70	0.40	20.0	1.25	100~400	SMA, N	-30~+70
400~500	30	0.30	23.0	1.20	100~400	SMA, N	-30~+70
400~500	100	0.40	20.0	1.25	100~400	SMA, N	-30~+70
430~440	10	0.40	20.0	1.25	400	N	-30~+75
500~700	50	0.40	20.0	1.25	100~400	SMA, N	-30~+70
500~700	150	0.50	18.0	1.30	100~400	SMA, N	-30~+70
500~700	200	0.60	17.0	1.35	100	SMA, N	-30~+75
600~900	300	0.80	15.0	1.50	100	SMA	-30~+75
610~900	290	0.80	15.0	1.50	100	SMA	-30~+75
700~900	200	0.40	20.0	1.25	100~400	SMA, N	-30~+70
700~1000	300	0.50	18.0	1.30	100~400	SMA, N	-30~+70
800~1000	200	0.40	20.0	1.20	100~400	SMA, N	-30~+70
800~1100	300	0.50	18.0	1.30	100~400	SMA, N	-30~+70

[1] The connector is SMA, and the maximum average power can only reach 100W

**Outline Drawings**


Unit: mm [inch]      Tolerance:  $\pm 0.2\text{mm}$  [ $\pm 0.008\text{in}$ ]**Mechanical**

---

Size<sup>\*2</sup>: 45\*49\*18mm  
1.772\*1.929\*0.709inMounting: 3- $\Phi$ 3.2mm through-hole

[2] Exclude connectors

**Connector Naming Rules:**

N - N Female (Outline A)

S - SMA Female (Outline B)

**Direction Naming Rules:**

1 - Clockwise

2 - Anticlockwise

**How To Order****FCC4550X-V-W-X-Y-Z**

V: Start frequency in MHz

W: Stop frequency in MHz

X: Average power in W

Y: Connector type

Z: Direction type

**Examples:**

To order a FCC4550X series Circulator, 300~400MHz, 200W, N female, Clockwise, specify FCC4550X-300-400-K2-N-1.

Customization is available upon request.