

FCC5050A

High Power, High Isolation

Features:

- * High Power
- * High Isolation
- * Low Insertion Loss
- * Low VSWR

Applications:

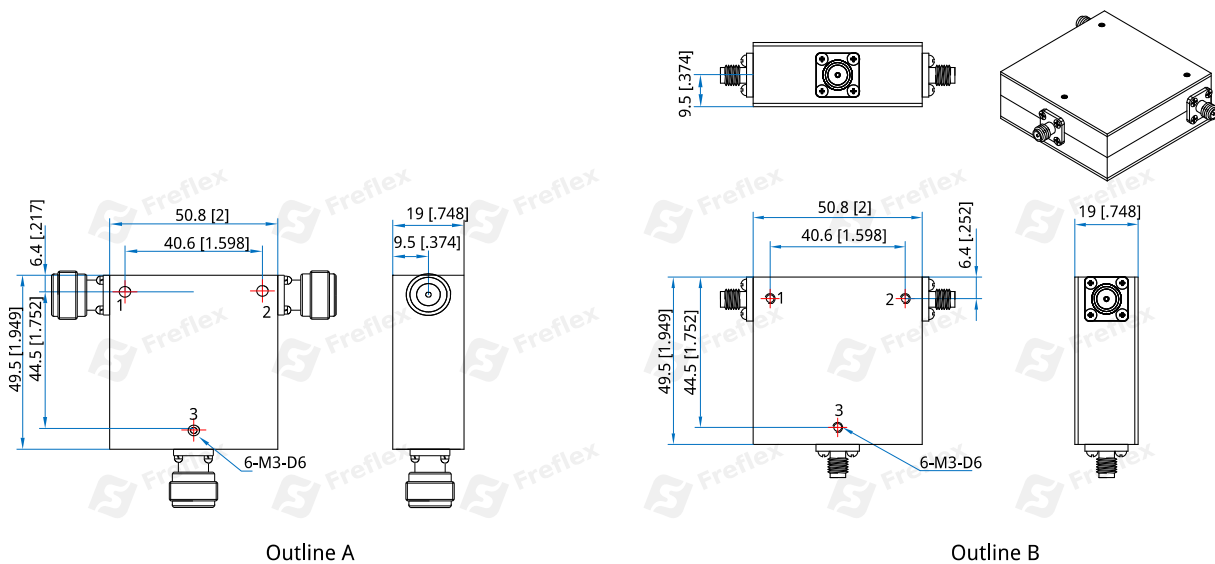
- * Wireless
- * Radar
- * Laboratory Test

Description

FCC5050A series Coaxial Circulators cover frequency range 1.3~3GHz. High power, high isolation and low insertion loss make it ideal for a lot of applications like amplifiers, transceivers, etc.

Specifications

Frequency (MHz)	Bandwidth (MHz)	IL (dB Max.)	Isolation (dB Min.)	VSWR (Max.)	Average Power (W)	Connector	Temperature (°C)
1500~3000	1500	0.70	17.0	1.40	10~100	SMA, N	0~+60
1300~2700	1400	0.70	16.0	1.50	100	SMA	0~+60

Outline Drawings


Unit: mm [inch]

 Tolerance: $\pm 0.2\text{mm}$ [$\pm 0.008\text{in}$]

Mechanical

 Size^{*1}: 50.8*49.5*19mm

2*1.949*0.748in

Mounting: 6-M3, depth 6mm

[1] Exclude connectors

Connector Naming Rules:

N - N Female (Outline A)

S - SMA Female (Outline B)

How To Order
FCC5050A-V-W-X-Y-Z

V: Start frequency in MHz

W: Stop frequency in MHz

X: Average power in W

Y: Connector type

Z: Direction type



Coaxial Circulators

Direction Naming Rules:

- 1 - Clockwise
- 2 - Anticlockwise

Examples:

To order a FCC5050A series Circulator, 1500~3000MHz, 100W, N female, Clockwise, specify FCC5050A-1500-3000-K1-N-1.

Customization is available upon request.