

FCC5050X

High Power, High Isolation

Features:

- * High Power
- * High Isolation
- * Low Insertion Loss
- * Low VSWR

Applications:

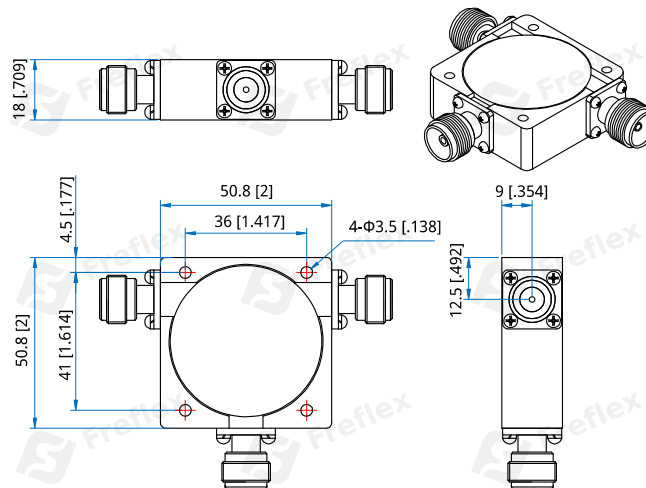
- * Wireless
- * Radar
- * Laboratory Test

Description

FCC5050X series Coaxial Circulators cover frequency range 0.25~0.265GHz. High power, high isolation and low insertion loss make it ideal for a lot of applications like amplifiers, transceivers, etc.

Specifications

Frequency (MHz)	Bandwidth (MHz)	IL (dB Max.)	Isolation (dB Min.)	VSWR (Max.)	Average Power (W)	Connector	Temperature (°C)
250~265	15	0.50	20.0	1.25	250	N	-30~+75
260~265	5	0.40	20.0	1.25	250	N	-30~+75

Outline Drawings


Unit: mm [inch] Tolerance: $\pm 0.2\text{mm}$ [$\pm 0.008\text{in}$]

Mechanical

Size*1: 50.8*50.8*18mm
2*2*0.709in

Mounting: 4- $\Phi 3.5\text{mm}$ through-hole

[1] Exclude connectors

Connector Naming Rules:

N - N Female

Direction Naming Rules:

- 1 - Clockwise
- 2 - Anticlockwise

How To Order
FCC5050X-V-W-X-Y-Z

V: Start frequency in MHz

W: Stop frequency in MHz

X: Average power in W

Y: Connector type

Z: Direction type

Examples:

To order a FCC5050X series Circulator, 250~265MHz, 250W, N female, Clockwise, specify FCC5050X-250-265-K25-N-1.

Customization is available upon request.