

FCC5258E

High Power, High Isolation

Features:
 * High Power
 * High Isolation
 * Low Insertion Loss
 * Low VSWR

Applications:
 * Wireless
 * Radar
 * Laboratory Test

Description

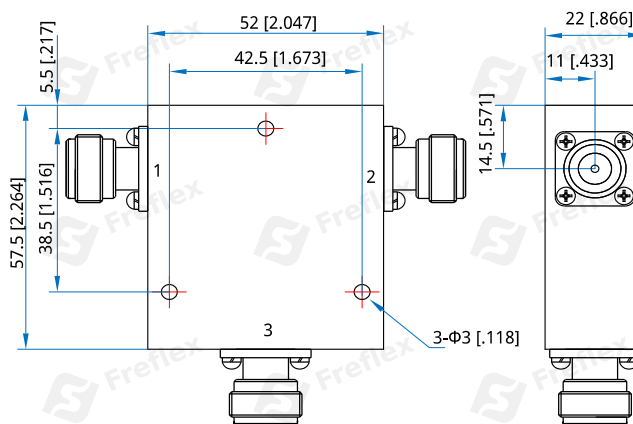
FCC5258E series Coaxial Circulators cover frequency range 160~330MHz. High power, high isolation and low insertion loss make it ideal for a lot of applications like amplifiers, transceivers, etc.

Specifications

| Frequency (MHz) | Bandwidth (MHz) | IL (dB Max.) | Isolation (dB Min.) | VSWR (Max.) | Average Power* ¹ (W) | Connector | Temperature (°C) |
|-----------------|-----------------|--------------|---------------------|-------------|---------------------------------|-----------|------------------|
| 160~200 | 10 | 0.70 | 18.0 | 1.30 | 100~400 | SMA, N | -30~+70 |
| 192~232 | 40 | 0.60 | 18.0 | 1.30 | 100~400 | SMA, N | -30~+70 |
| 200~220 | 20 | 0.40 | 20.0 | 1.25 | 100~400 | SMA, N | -30~+70 |
| 220~240 | 20 | 0.40 | 20.0 | 1.25 | 100~400 | SMA, N | -30~+70 |
| 260~330 | 10 | 0.20 | 23.0 | 1.20 | 100~400 | SMA, N | -30~+70 |
| 260~330 | 70 | 0.40 | 20.0 | 1.25 | 100~400 | SMA, N | -30~+70 |

[1] The connector is SMA, and the maximum average power can only reach 100W

Outline Drawings



Unit: mm [inch] Tolerance: $\pm 0.2\text{mm}$ [$\pm 0.008\text{in}$]

Mechanical

Size*²: 52*57.5*22mm
 2.047*2.264*0.866in

Mounting: 3-Φ3mm through-hole

[2] Exclude connectors

Connector Naming Rules:

N - N Female

How To Order

FCC5258E-V-W-X-Y-Z

V: Start frequency in MHz

W: Stop frequency in MHz

X: Average power in W

Y: Connector type

Z: Direction type



Coaxial Circulators

Direction Naming Rules:

- 1 - Clockwise
- 2 - Anticlockwise

Examples:

To order a FCC5258E series Circulator, 200~220MHz, 100W, N female, Clockwise, specify FCC5258E-200-220-K1-N-1.

Customization is available upon request.