

# FCC8080E

## High Power, High Isolation

**Features:**

- \* High Power
- \* High Isolation
- \* Low Insertion Loss
- \* Low VSWR

**Applications:**

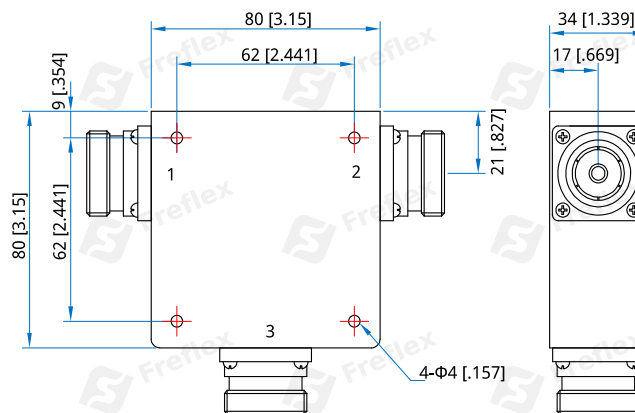
- \* Wireless
- \* Radar
- \* Laboratory Test

**Description**

FCC8080E series Coaxial Circulators cover frequency range 150~890MHz. High power, high isolation and low insertion loss make it ideal for a lot of applications like amplifiers, transceivers, etc.

**Specifications**

Frequency (MHz)	Bandwidth (MHz)	IL (dB Max.)	Isolation (dB Min.)	VSWR (Max.)	Average Power (W)	Connector	Temperature (°C)
150~180	30	0.60	19.0	1.25	100~1000	7/16 DIN	-30~+75
160~190	30	0.50	20.0	1.25	100~1000	7/16 DIN	-30~+75
810~890	80	0.50	25.0	1.25	100~1000	7/16 DIN	-30~+75

**Outline Drawings**


Unit: mm [inch]      Tolerance: ±0.2mm [±0.008in]

**Mechanical**

Size\*1: 80\*80\*34mm  
3.15\*3.15\*1.339in

Mounting: 4-Φ4mm through-hole

[1] Exclude connectors

**Connector Naming Rules:**

7 - 7/16 DIN Female

**Direction Naming Rules:**

- 1 - Clockwise
- 2 - Anticlockwise

**How To Order**

**FCC8080E-V-W-X-Y-Z**

V: Start frequency in MHz

W: Stop frequency in MHz

X: Average power in W

Y: Connector type

Z: Direction type

Examples:

To order a FCC8080E series Circulator, 160~190MHz, 1000W, 7/16 DIN female, Clockwise, specify FCC8080E-160-190-1K-7-1.

Customization is available upon request.