

FCI-18000-26500-10-5-K-1

18~26.5GHz, 10W/5W, 2.92mm Female, Clockwise

Features:

- * Broadband
- * High Power
- * Low Insertion Loss

Applications:

- * Wireless
- * Radar
- * Laboratory Test

Electrical

Frequency:	18~26.5GHz
Insertion Loss:	0.7dB max.
Isolation:	16dB min.
VSWR:	1.4 max.
Forward Power:	10W
Reverse Power:	5W

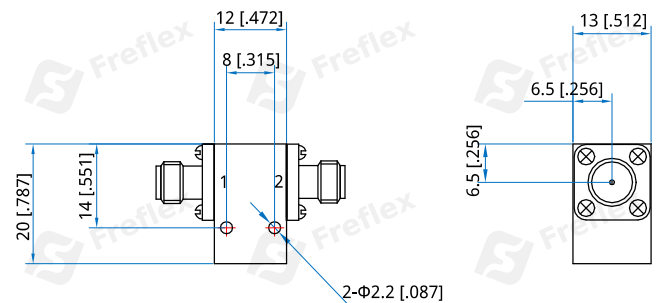
Mechanical

Size ^{*1} :	12*20*13mm 0.472*0.787*0.512in
RF Connectors:	2.92mm Female
Mounting:	2-Φ2.2mm through-hole
Direction:	Clockwise

[1] Exclude connectors and termination.

Environmental

Operating Temperature:	-30~+70°C
------------------------	-----------

Outline Drawings


Unit: mm [in]

Tolerance: ±0.2mm [±0.008in]

How To Order

FCI-18000-26500-10-5-K-1

Customization is available upon request.