

FCI-2000-4000-K5-K2-N-1

2~4GHz, 500W, 200W, N Female, Clockwise

Features:
 * Broadband
 * High Power
 * Low Insertion Loss

Applications:
 * Wireless
 * Radar
 * Laboratory Test

Electrical

Frequency:	2~4GHz
VSWR:	1.5 max.
Insertion Loss:	0.6dB max.
Isolation:	15dB min.
Forward Power:	500W
Reverse Power:	200W

Mechanical

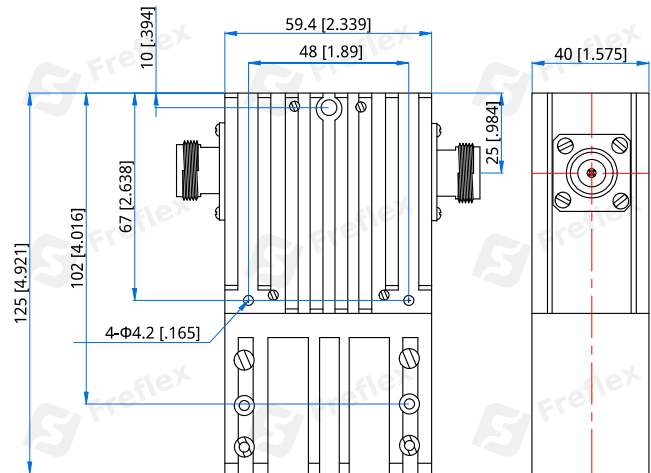
Size ^{*1} :	59.4*125*40mm 2.339*4.921*1.575in
RF Connectors:	N Female
Mounting:	4-Φ4.2mm through-hole
Cooling:	Forced air
Direction:	Clockwise

[1] Exclude connectors and terminations.

Environmental

Operating Temperature:	-20~+60°C
Non-operating Temperature:	-55~+85°C

Outline Drawings



Unit: mm [in]

Tolerance: ±0.2mm [±0.008in]

How To Order

FCI-2000-4000-K5-K2-N-1

Customization is available upon request.