

FCI-4000-8000-K2-K2-N-1

4~8GHz, 200W, 200W, N Female, Clockwise

Features:
 * Broadband
 * High Power
 * Low Insertion Loss

Applications:
 * Wireless
 * Radar
 * Laboratory Test

Electrical

Frequency:	4~8GHz
VSWR:	1.5 max.
Insertion Loss:	0.6dB max.
Isolation:	15dB min.
Forward Power:	200W
Reverse Power:	200W

Mechanical

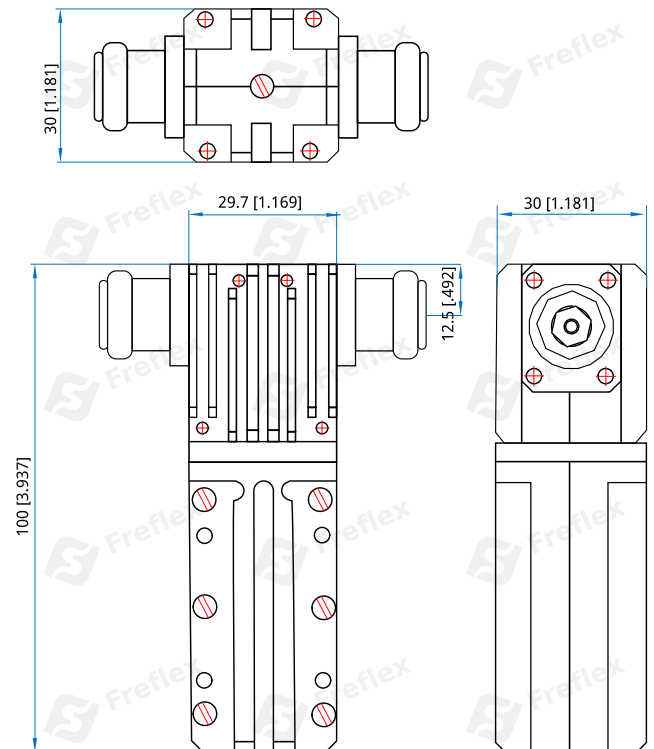
Size ^{*1} :	29.7*100*30mm 1.169*3.937*1.181in
RF Connectors:	N Female
Direction:	Clockwise

[1] Exclude connectors and terminations.

Environmental

Operating Temperature:	-20~+60°C
Non-operating Temperature:	-55~+85°C

Outline Drawings



Unit: mm [in]

Tolerance: ± 0.2 mm [± 0.008 in]

How To Order

FCI-4000-8000-K2-K2-N-1

Customization is available upon request.