

FCI10458E

High Power, High Isolation

Features:
 * High Power
 * High Isolation
 * Low Insertion Loss
 * Low VSWR

Applications:
 * Wireless
 * Radar
 * Laboratory Test

Description

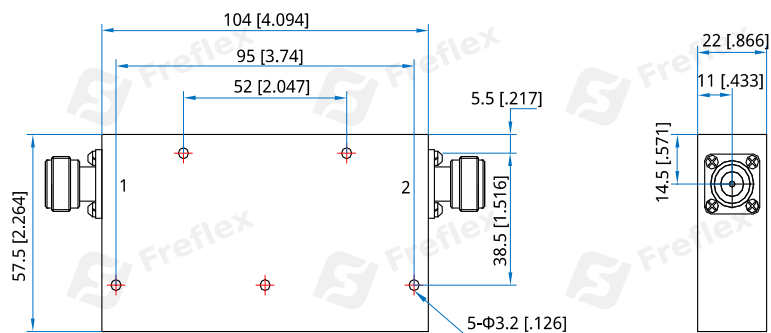
FCI10458E series Coaxial Isolators cover frequency range 180~860MHz. High power, high isolation and low insertion loss make it ideal for a lot of applications like amplifiers, transceivers, etc.

Specifications

Frequency (MHz)	Bandwidth (MHz)	IL (dB Max.)	Isolation (dB Min.)	VSWR (Max.)	Fwd Power*1 (W Max.)	Rev Power (W)	Connector	Temperature (°C)
180~200	20	1.0	38.0	1.30	300	10~100	SMA, N	-30~+70
200~220	20	0.8	40.0	1.20	300	10~100	SMA, N	-30~+70
220~240	20	0.8	40.0	1.20	300	10~100	SMA, N	-30~+70
260~280	20	0.8	45.0	1.20	300	10~100	SMA, N	-30~+70
300~360	60	1.0	40.0	1.25	300	10~100	SMA, N	-30~+70
360~400	40	1.0	40.0	1.25	300	10~100	SMA, N	-30~+70
390~400	10	0.6	50.0	1.25	300	10~100	SMA, N	-30~+70
420~430	10	0.6	50.0	1.20	300	10~100	SMA, N	-30~+70
430~470	40	0.8	45.0	1.20	300	10~100	SMA, N	-30~+70
460~470	10	0.6	50.0	1.20	300	10~100	SMA, N	-30~+70
851~866	15	0.6	50.0	1.20	300	10~100	SMA, N	-30~+70

[1] The connector is SMA, and the maximum forward power can only reach 100W.

Outline Drawings



Unit: mm [inch] Tolerance: ±0.2mm [±0.008in]

Mechanical

Size*2: 104*57.5*22mm
 4.094*2.264*0.866in

Mounting: 5-Φ3.2mm through-hole

[2] Exclude connectors and terminations.

Connector Naming Rules:

N - N Female

Direction Naming Rules:

1 - Clockwise

2 - Anticlockwise

Dual Junction Coaxial Isolators

How To Order

FCI10458E-U-V-W-X-Y-Z

U: Start frequency in MHz

V: Stop frequency in MHz

W: Forward power in W

X: Reverse power in W

Y: Connector type

Z: Direction type

Examples:

To order a FCI10458E series Isolator, 180~200MHz, Forward power 300W, Reverse power 100W, N female, Clockwise, specify FCI10458E-180-200--K3-K1-N-1.

Customization is available upon request.