

FCI12060E

High Power, High Isolation

Features:
 * High Power
 * High Isolation
 * Low Insertion Loss
 * Low VSWR

Applications:
 * Wireless
 * Radar
 * Laboratory Test

Description

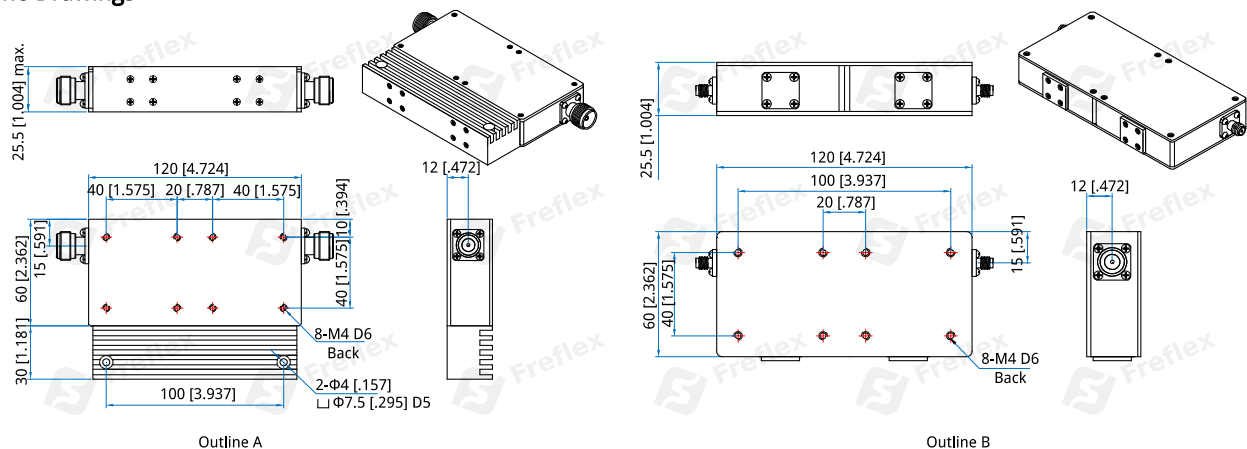
FCI12060E series Coaxial Isolators cover frequency range 117~400MHz. High power, high isolation and low insertion loss make it ideal for a lot of applications like amplifiers, transceivers, etc.

Specifications

Frequency (MHz)	Bandwidth (MHz)	IL (dB Max.)	Isolation (dB Min.)	VSWR (Max.)	Fwd Power (W Max.)	Rev Power (W)	Connector	Temperature (°C)
117~137	20	1.0	50.0	1.25	200	200	N	0~+60
225~400	175	1.6	34.0	1.35	100	20 ^{*1}	SMA	0~+60

[1] Built-in resistor, user solves heat dissipation problems.

Outline Drawings



Unit: mm [inch] Tolerance: ±0.2mm [±0.008in]

Mechanical

Size^{*2}: 120*60*25.5mm
 4.724*2.362*1.004in

Mounting: 8-M4, depth 6mm

[2] Exclude connectors and terminations.

Connector Naming Rules:

N - N Female (Outline A)
 S - SMA Female (Outline B)

Direction Naming Rules:

1 - Clockwise
 2 - Anticlockwise

How To Order

FCI12060E-U-V-W-X-Y-Z

U: Start frequency in MHz
 V: Stop frequency in MHz
 W: Forward power in W
 X: Reverse power in W
 Y: Connector type
 Z: Direction type

Examples:

To order a FCI12060E series Isolator, 225~400MHz, Forward power 100W, Reverse power 20W, N female, Clockwise, specify FCI12060E-225-400-K1-20-S-1.

Customization is available upon request.