

FCI1220C

High Power, High Isolation

Features:
 * High Power
 * High Isolation
 * Low Insertion Loss
 * Low VSWR

Applications:
 * Wireless
 * Radar
 * Laboratory Test

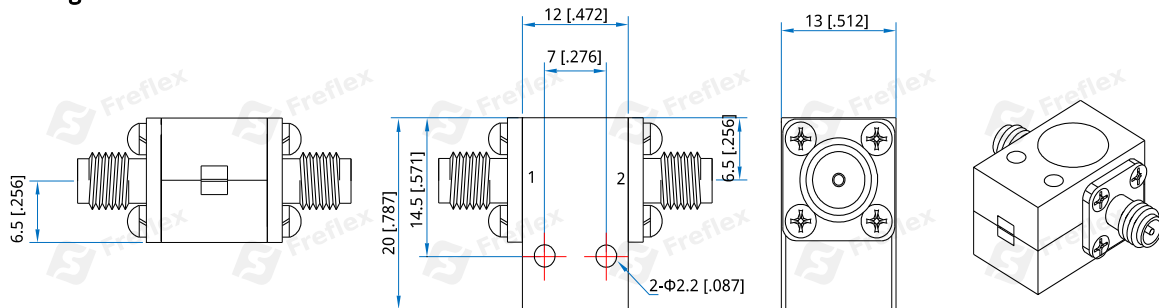
Description

FCI1220C series Coaxial Isolators cover frequency range 9.3~18.5GHz. High power, high isolation and low insertion loss make it ideal for a lot of applications like amplifiers, transceivers, etc.

Specifications

Frequency (MHz)	Bandwidth (MHz)	IL (dB Max.)	Isolation (dB Min.)	VSWR (Max.)	Fwd Power (W Max.)	Rev Power (W)	Connector	Temperature (°C)
9300~9500	200	0.30	23.0	1.25	30	5	SMA	-30~+70
10500~12500	2000	0.40	20.0	1.25	30	5	SMA	-30~+70
10700~12750	2050	0.50	20.0	1.25	20	5	SMA	-30~+70
10700~12800	2100	0.40	20.0	1.25	30	5	SMA	-30~+70
12700~14900	2200	0.50	19.0	1.30	30	5	SMA	-30~+70
14500~16500	2000	0.40	20.0	1.25	30	5	SMA	-30~+70
16000~18000	2000	0.60	18.0	1.35	30	10	SMA	-30~+70
16000~18500	2500	0.60	18.0	1.35	20	5	SMA	-20~+70

Outline Drawings



Unit: mm [inch] Tolerance: $\pm 0.2\text{mm}$ [$\pm 0.008\text{in}$]

Mechanical

Size*1: 12*20*13mm
 0.472*0.787*0.512in

Mounting: 2- $\Phi 2.2\text{mm}$ through-hole

[1] Exclude connectors.

Connector Naming Rules:

S - SMA Female

Direction Naming Rules:

1 - Clockwise
 2 - Anticlockwise

How To Order

FCI1220C-U-V-W-X-Y-Z

U: Start frequency in MHz

V: Stop frequency in MHz

W: Forward power in W

X: Reverse power in W

Y: Connector type

Z: Direction type

Examples:

To order a FCI1220C series Isolator, 9.3~9.5GHz, Forward power 30W, Reverse power 5W, SMA female, Clockwise, specify



Coaxial Isolators

FCI1220C-9300-9500-30-5-S-1.

Customization is available upon request.