

FCI2025X

High Power, High Isolation

Features:

- * High Power
- * High Isolation
- * Low Insertion Loss
- * Low VSWR

Applications:

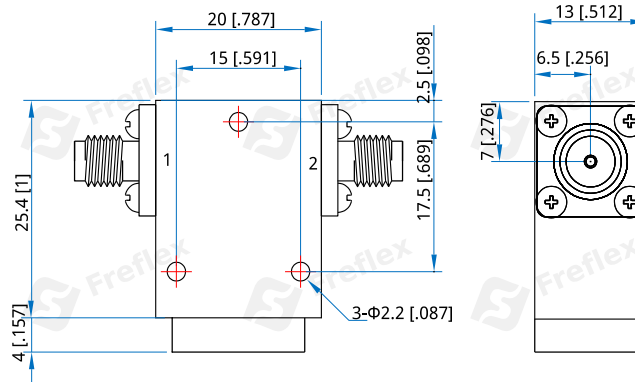
- * Wireless
- * Radar
- * Laboratory Test

Description

FCI2025X series Coaxial Isolators cover frequency range 1300~4000MHz. High power, high isolation and low insertion loss make it ideal for a lot of applications like amplifiers, transceivers, etc.

Specifications

| Frequency (MHz) | Bandwidth (MHz) | IL (dB Max.) | Isolation (dB Min.) | VSWR (Max.) | Fwd Power (W Max.) | Rev Power (W) | Connector | Temperature (°C) |
|-----------------|-----------------|--------------|---------------------|-------------|--------------------|---------------|-----------|------------------|
| 1300~4000 | 100 | 0.30 | 23.0 | 1.20 | 100 | 20 | SMA | -30~+70 |
| 1700~1900 | 200 | 0.40 | 20.0 | 1.25 | 100 | 20 | SMA | -30~+70 |
| 1900~2200 | 300 | 0.40 | 20.0 | 1.25 | 100 | 20 | SMA | -30~+70 |
| 2400~2500 | 100 | 0.25 | 25.0 | 1.15 | 100 | 20 | SMA | -30~+70 |
| 2500~2700 | 200 | 0.30 | 23.0 | 1.20 | 100 | 20 | SMA | -30~+70 |
| 2700~3100 | 400 | 0.30 | 20.0 | 1.25 | 100 | 20 | SMA | -30~+70 |
| 3100~3400 | 300 | 0.30 | 20.0 | 1.20 | 100 | 20 | SMA | -30~+70 |
| 3400~3600 | 200 | 0.30 | 20.0 | 1.20 | 100 <td 20 | SMA | -30~+70 | |
| 3600~4000 | 400 | 0.30 | 20.0 | 1.25 | 100 | 20 | SMA | -30~+70 |

Outline Drawings


Unit: mm [inch]

 Tolerance: $\pm 0.2\text{mm}$ [$\pm 0.008\text{in}$]

Mechanical

Size*1: 20*25.4*13mm
0.787*1*0.512in

Mounting: 3- Φ 2.2mm through-hole

[1] Exclude connectors and terminations.

Connector Naming Rules:

S - SMA Female

Direction Naming Rules:

- 1 - Clockwise
- 2 - Anticlockwise

How To Order**FCI2025X-U-V-W-X-Y-Z**

U: Start frequency in MHz

V: Stop frequency in MHz

W: Forward power in W

X: Reverse power in W

Y: Connector type

Z: Direction type

Examples:

To order a FCI2025X series Isolator, 1500~1700MHz, Forward power 100W, Reverse power 20W, SMA female, Clockwise, specify FCI2025X-1500-1700-K1-20-S-1.

Customization is available upon request.