

FCI2123B

High Power, High Isolation

Features:

- * High Power
- * High Isolation
- * Low Insertion Loss
- * Low VSWR

Applications:

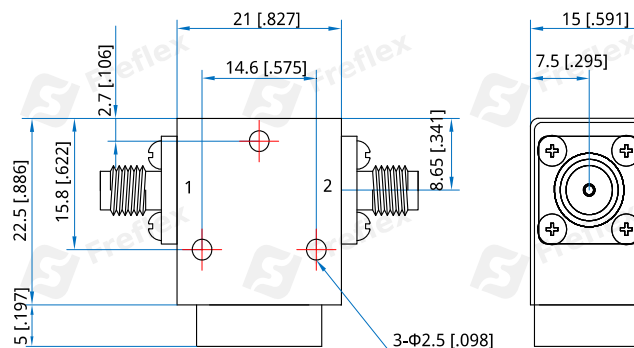
- * Wireless
- * Radar
- * Laboratory Test

Description

FCI2123B series Coaxial Isolators cover frequency range 4000~8000MHz. High power, high isolation and low insertion loss make it ideal for a lot of applications like amplifiers, transceivers, etc.

Specifications

Frequency (MHz)	Bandwidth (MHz)	IL (dB Max.)	Isolation (dB Min.)	VSWR (Max.)	Fwd Power (W Max.)	Rev Power (W)	Connector	Temperature (°C)
4000~8000	4000	0.60	18.0	1.35	60	20	SMA	0~+60
5800~6800	1000	0.50	19.0	1.30	60	20	SMA	0~+60
6000~8000	2000	0.40	18.0	1.30	60	20	SMA	0~+60

Outline Drawings


Unit: mm [inch] Tolerance: $\pm 0.2\text{mm}$ [$\pm 0.008\text{in}$]

Mechanical

Size^{*1}: 21*22.5*15mm
0.827*0.886*0.591in

Mounting: 3- $\Phi 2.5\text{mm}$ through-hole

[1] Exclude connectors and terminations.

Connector Naming Rules:

S - SMA Female

Direction Naming Rules:

- 1 - Clockwise
- 2 - Anticlockwise

How To Order

FCI2123B-U-V-W-X-Y-Z

U: Start frequency in MHz

V: Stop frequency in MHz

W: Forward power in W

X: Reverse power in W

Y: Connector type

Z: Direction type

Examples:

To order a FCI2123B series Isolator, 4000~8000MHz, Forward power 60W, Reverse power 20W, SMA female, Clockwise, specify FCI2123B-4000-8000-60-20-S-1.

Customization is available upon request.