

# FCI3234A

## High Power, High Isolation

**Features:**

- \* High Power
- \* High Isolation
- \* Low Insertion Loss
- \* Low VSWR

**Applications:**

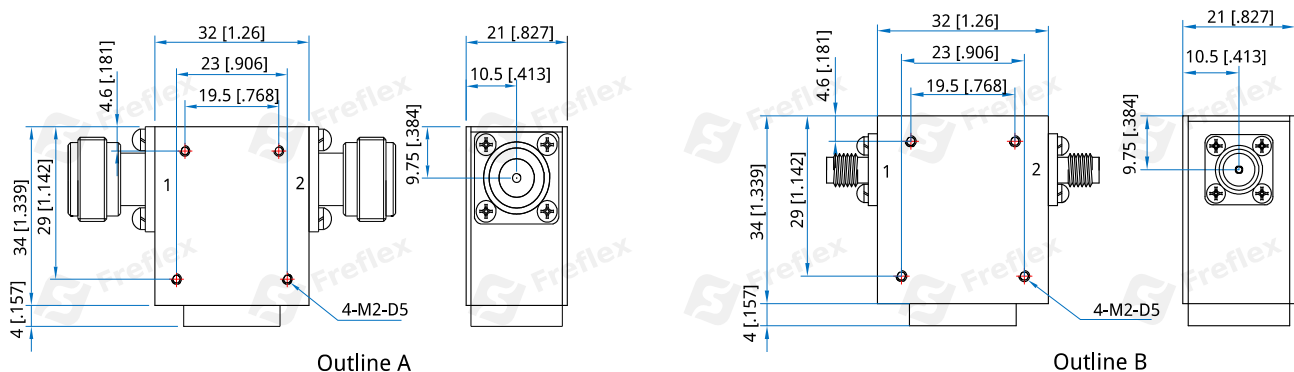
- \* Wireless
- \* Radar
- \* Laboratory Test

**Description**

FCI3234A series Coaxial Isolators cover frequency range 2000~4000MHz. High power, high isolation and low insertion loss make it ideal for a lot of applications like amplifiers, transceivers, etc.

**Specifications**

Frequency (MHz)	Bandwidth (MHz)	IL (dB Max.)	Isolation (dB Min.)	VSWR (Max.)	Fwd Power (W Max.)	Rev Power (W)	Connector	Temperature (°C)
2000~3000	1000	0.60	18.0	1.30	100	20	SMA, N	0~+60
2000~4000	2000	0.60	18.0	1.30	100	20	SMA, N	0~+60

**Outline Drawings**


Unit: mm [inch]      Tolerance:  $\pm 0.2\text{mm}$  [ $\pm 0.008\text{in}$ ]

**Mechanical**

Size<sup>\*1</sup>: 32\*34\*21mm  
 1.26\*1.339\*0.827in  
 Mounting: 4-M2, depth 5mm

[1] Exclude connectors and terminations.

**Connector Naming Rules:**

N - N Female (Outline A)  
 S - SMA Female (Outline B)

**Direction Naming Rules:**

1 - Clockwise  
 2 - Anticlockwise

**How To Order**
**FCI3234A-U-V-W-X-Y-Z**

U: Start frequency in MHz  
 V: Stop frequency in MHz  
 W: Forward power in W  
 X: Reverse power in W  
 Y: Connector type  
 Z: Direction type

**Examples:**

To order a FCI3234A series Isolator, 2000~4000MHz, Forward power 100W, Reverse power 20W, SMA female, Clockwise, specify FCI3234A-2000-4000-K1-20-S-1.

Customization is available upon request.