

FCI3434E

High Power, High Isolation

Features:

- * High Power
- * High Isolation
- * Low Insertion Loss
- * Low VSWR

Applications:

- * Wireless
- * Radar
- * Laboratory Test

Description

FCI3434E series Coaxial Isolators cover frequency range 700~3000MHz. High power, high isolation and low insertion loss make it ideal for a lot of applications like amplifiers, transceivers, etc.

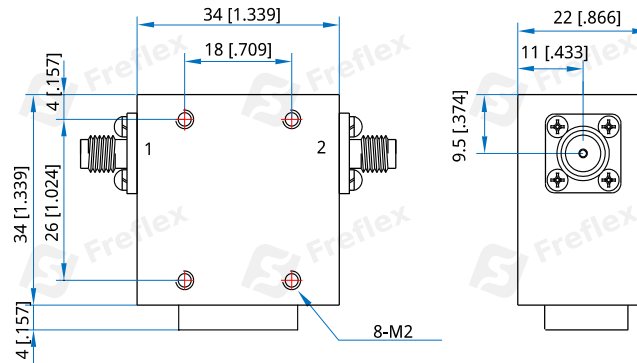
Specifications

Frequency (MHz)	Bandwidth (MHz)	IL (dB Max.)	Isolation (dB Min.)	VSWR (Max.)	Fwd Power* ¹ (W Max.)	Rev Power (W)	Connector	Temperature (°C)
700~1300	100	0.30	23.0	1.20	200	10~100	SMA, N	-30~+70
700~1300	200	0.40	20.0	1.25	200	10~100	SMA, N	-30~+70
700~900	200	0.40	20.0	1.25	200	10~100	SMA, N	-30~+70
800~1000	200	0.40	20.0	1.25	200	10~100	SMA, N	-30~+70
890~960	70	0.25	25.0	1.15	200	10~100	SMA, N	-30~+70
950~1450	500	0.60	15.0	1.45	200	10~100	SMA, N	-30~+70
960~1215	255	0.30	21.0	1.20	200	10~100	SMA, N	-30~+70
960~1260	300	0.45	20.0	1.25	200	10~100	SMA, N	-30~+70
1030~1090	60	0.25	25.0	1.15	200	10~100	SMA, N	-30~+70
1290~1310	20	0.25	25.0	1.15	200	10~100	SMA, N	-30~+70
1300~3000	200	0.30	23.0	1.20	200	10~100	SMA, N	-30~+70
1300~3000	300	0.45	18.0	1.30	200	10~100	SMA, N	-30~+70
1350~1850	500	0.60	15.0	1.45	200	10~100	SMA, N	-30~+70
1400~1700	300	0.45	20.0	1.25	200	10~100	SMA, N	-30~+70
1700~2300	600	0.50	20.0	1.25	200	10~100	SMA, N	-30~+70
1900~2200	300	0.40	20.0	1.25	200	10~100	SMA, N	-30~+70
2100~2700	600	0.50	18.0	1.35	200	10~100	SMA, N	-30~+70
2200~2400	200	0.30	23.0	1.20	200	10~100	SMA, N	-30~+70
2300~2700	400	0.40	20.0	1.25	200	10~100	SMA, N	-30~+70
2500~2700	200	0.30	23.0	1.20	200	10~100	SMA, N	-30~+70
2700~2900	200	0.30	23.0	1.20	200	10~100	SMA, N	-30~+70
2800~3000	200	0.30	23.0	1.20	200	10~100	SMA, N	-30~+70

The size of the termination varies according to the reverse power

[1] The connector is SMA, and the maximum forward power can only reach 100W.

Outline Drawings



Unit: mm [inch] Tolerance: $\pm 0.2\text{mm}$ [$\pm 0.008\text{in}$]

Mechanical

Size^{*2}: 34*34*22mm
1.339*1.339*0.866in

Mounting: 8-M2

[2] Exclude connectors and terminations.

Connector Naming Rules:

S - SMA Female

Direction Naming Rules:

- 1 - Clockwise
- 2 - Anticlockwise

How To Order

FCI3434E-U-V-W-X-Y-Z

U: Start frequency in MHz

V: Stop frequency in MHz

W: Forward power in W

X: Reverse power in W

Y: Connector type

Z: Direction type

Examples:

To order a FCI3232X series Isolator, 700~806MHz, Forward power 200W, Reverse power 100W, SMA female, Clockwise, specify FCI3434E-700-806-K2-K1--S-1.

Customization is available upon request.