

# FCI3538X

## High Power, High Isolation

**Features:**

- \* High Power
- \* High Isolation
- \* Low Insertion Loss
- \* Low VSWR

**Applications:**

- \* Wireless
- \* Radar
- \* Laboratory Test

**Description**

FCI3538X series Coaxial Isolators cover frequency range 300~1850MHz. High power, high isolation and low insertion loss make it ideal for a lot of applications like amplifiers, transceivers, etc.

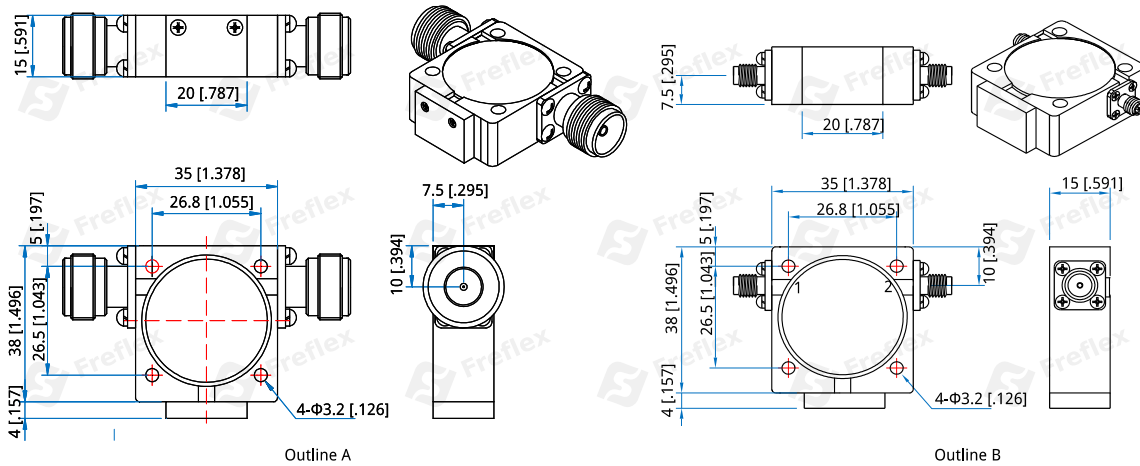
**Specifications**

Frequency (MHz)	Bandwidth (MHz)	IL (dB Max.)	Isolation (dB Min.)	VSWR (Max.)	Fwd Power* <sup>1</sup> (W Max.)	Rev Power (W)	Connector	Temperature (°C)
300~350	50	0.70	18.0	1.35	300	10~100	SMA, N	-30~+70
300~400	20	0.40	20.0	1.25	300	10~100	SMA, N	-30~+70
350~370	20	0.40	23.0	1.20	300	10~100	SMA, N	-30~+70
361~366	5	0.40	23.0	1.20	300	10~100	SMA, N	-30~+70
400~470	70	0.40	20.0	1.25	300	10~100	SMA, N	-30~+70
400~600	200	0.30	23.0	1.20	300	10~100	SMA, N	-30~+70
400~600	100	0.40	20.0	1.25	300	10~100	SMA, N	-30~+70
470~570	100	0.40	20.0	1.25	300	10~100	SMA, N	-30~+70
500~700	200	0.70	17.0	1.35	100	20	SMA	-40~+85
600~800	200	0.25	25.0	1.15	300	10~100	SMA, N	-30~+70
600~800	200	0.30	23.0	1.20	300	10~100	SMA, N	-30~+70
600~800	200	0.45	19.0	1.25	300	10~100	SMA, N	-30~+70
700~900	200	0.40	20.0	1.25	200	30	N	-30~+75
700~1000	300	0.25	25.0	1.15	300	10~100	SMA, N	-30~+70
700~1000	100	0.30	23.0	1.20	300	10~100	SMA, N	-30~+70
700~1000	200	0.50	18.0	1.30	300	10~100	SMA, N	-30~+70
950~1450	500	0.60	18.0	1.30	300	10~100	SMA, N	-30~+70
960~1215	255	0.30	21.0	1.20	300	10~100	SMA, N	-30~+70
960~1260	300	0.45	20.0	1.25	300	10~100	SMA, N	-30~+70
1000~1500	500	0.60	18.0	1.30	300	10~100	SMA, N	-30~+70
1020~1040	20	0.25	25.0	1.15	300	10~100	SMA, N	-30~+70
1160~1610	450	0.50	20.0	1.25	300	10~100	SMA, N	-30~+70
1290~1310	20	0.25	25.0	1.15	300	10~100	SMA, N	-30~+70
1350~1850	500	0.50	20.0	1.25	300	10~100	SMA, N	-30~+70

The size of the termination varies according to the reverse power

[1] The connector is SMA, and the maximum forward power can only reach 100W.

## Outline Drawings



Unit: mm [inch]    Tolerance:  $\pm 0.2\text{mm}$  [ $\pm 0.008\text{in}$ ]

### Mechanical

Size<sup>\*2</sup>: 35\*38\*15mm  
 1.378\*1.496\*0.591in

Mounting: 4-Φ3.2mm through-hole

[2] Exclude connectors and terminations.

### Connector Naming Rules:

N - N Female (Outline A)  
 S - SMA Female (Outline B)

### Direction Naming Rules:

1 - Clockwise  
 2 - Anticlockwise

### How To Order

**FCI3538X-U-V-W-X-Y-Z**

U: Start frequency in MHz

V: Stop frequency in MHz

W: Forward power in W

X: Reverse power in W

Y: Connector type

Z: Direction type

### Examples:

To order a FCI3538X series Isolator, 300~350MHz, Forward power 300W, Reverse power 100W, N female, Clockwise, specify FCI3538X-300-350-K3-K1-N-1.

Customization is available upon request.