

# FCI4040A

## High Power, High Isolation

**Features:**

- \* High Power
- \* High Isolation
- \* Low Insertion Loss
- \* Low VSWR

**Applications:**

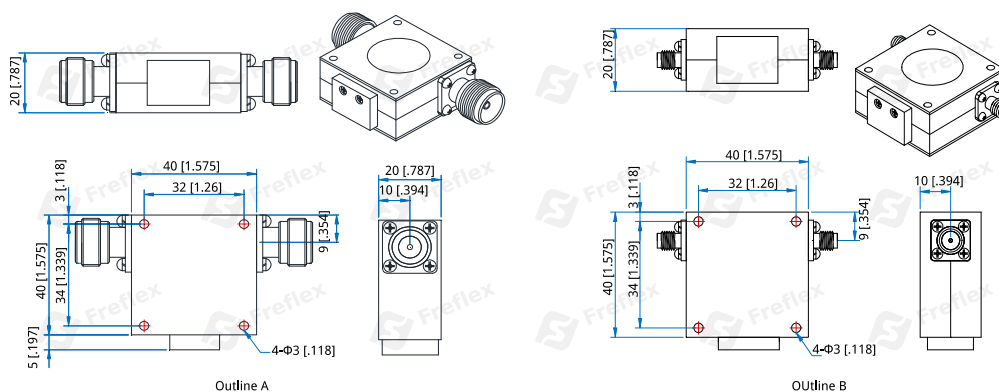
- \* Wireless
- \* Radar
- \* Laboratory Test

**Description**

FCI4040A series Coaxial Isolators cover frequency range 1500–3600MHz. High power, high isolation and low insertion loss make it ideal for a lot of applications like amplifiers, transceivers, etc.

**Specifications**

Frequency (MHz)	Bandwidth (MHz)	IL (dB Max.)	Isolation (dB Min.)	VSWR (Max.)	Fwd Power (W Max.)	Rev Power (W)	Connector	Temperature (°C)
1500–3000	1500	0.70	17.0	1.4	100	100, 50, 30	SMA	0~+60
1500–3000	1500	0.70	17.0	1.4	100	30	N	0~+60
1800–3600	1800	0.6	17.0	1.35	100	100	SMA	0~+60

**Outline Drawings**


Unit: mm [inch]

 Tolerance:  $\pm 0.2\text{mm}$  [ $\pm 0.008\text{in}$ ]

**Mechanical**

Size\*1: 40\*40\*20mm  
 1.575\*1.575\*0.787in  
 Mounting: 4-Ø3 through hole

[1] Exclude connectors and terminations.

**Connector Naming Rules:**

N - N Female (Outline A)  
 S - SMA Female (Outline B)

**Direction Naming Rules:**

1 - Clockwise  
 2 - Anticlockwise

**How To Order**
**FCI4040A-U-V-W-X-Y-Z**

U: Start frequency in MHz  
 V: Stop frequency in MHz  
 W: Forward power in W  
 X: Reverse power in W  
 Y: Connector type  
 Z: Direction type

**Examples:**

To order a FCI4040A series Isolator, 1500–3000MHz, Forward power 100W, Reverse power 30W, SMA female, Clockwise, specify FCI4040A-1500-3000-K1-30-S-1.

Customization is available upon request.