

# FCI5050X

## High Power, High Isolation

**Features:**

- \* High Power
- \* High Isolation
- \* Low Insertion Loss
- \* Low VSWR

**Applications:**

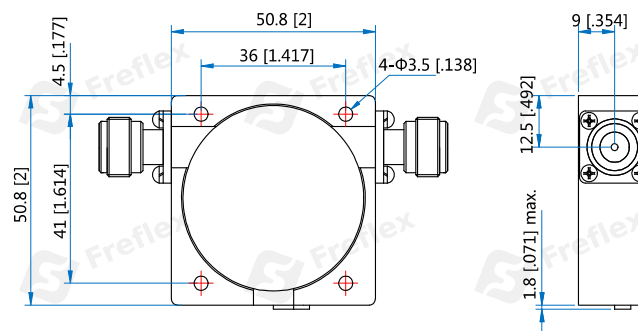
- \* Wireless
- \* Radar
- \* Laboratory Test

**Description**

FCI5050X series Coaxial Isolators cover frequency range 260~330MHz. High power, high isolation and low insertion loss make it ideal for a lot of applications like amplifiers, transceivers, etc.

**Specifications**

| Frequency (MHz) | Bandwidth (MHz) | IL (dB Max.) | Isolation (dB Min.) | VSWR (Max.) | Fwd Power (W Max.) | Rev Power (W) | Connector | Temperature (°C) |
|-----------------|-----------------|--------------|---------------------|-------------|--------------------|---------------|-----------|------------------|
| 260~330         | 70              | 0.80         | 15.0                | 1.50        | 500                | 20            | N         | -30~+70          |

**Outline Drawings**


Unit: mm [inch]

Tolerance: ±0.2mm [±0.008in]

**Mechanical**

 Size\*2: 50.8\*50.8\*9mm  
 2\*2\*0.354in

Mounting: 4-Φ3.5mm through-hole

[2] Exclude connectors and terminations.

**Connector Naming Rules:**

N - N Female

**Direction Naming Rules:**

- 1 - Clockwise
- 2 - Anticlockwise

**How To Order**
**FCI5050X-U-V-W-X-Y-Z**

U: Start frequency in MHz

V: Stop frequency in MHz

W: Forward power in W

X: Reverse power in W

Y: Connector type

Z: Direction type

**Examples:**

To order a FCI5050X series Isolator, 260~330MHz, Forward power 500W, Reverse power 20W, N female, Clockwise, specify FCI5050X-260-330-K5-20-N-1.

Customization is available upon request.