

FCI6060E

High Power, High Isolation

Features:

- * High Power
- * High Isolation
- * Low Insertion Loss
- * Low VSWR

Applications:

- * Wireless
- * Radar
- * Laboratory Test

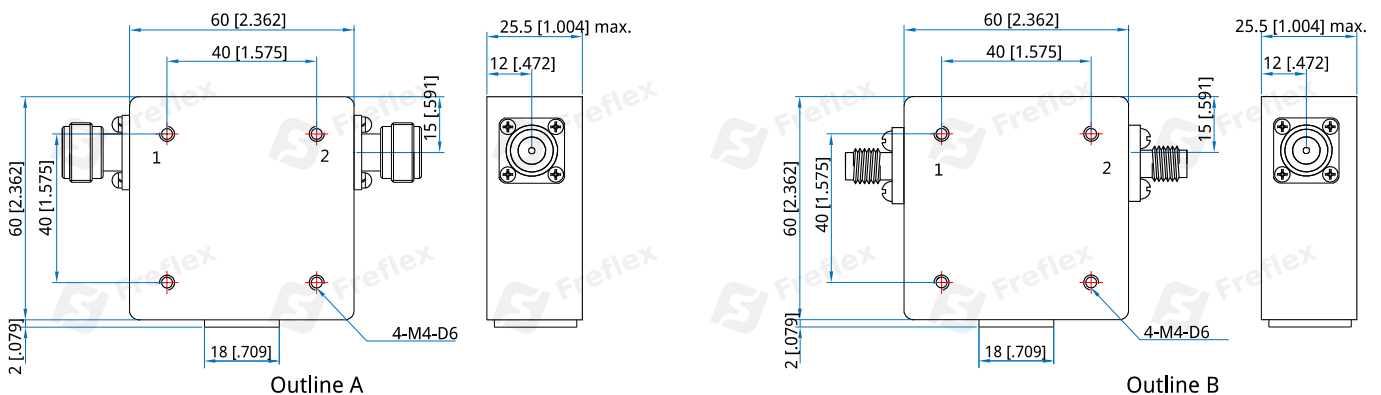
Description

FCI6060E series Coaxial Isolators cover frequency range 20~400MHz. High power, high isolation and low insertion loss make it ideal for a lot of applications like amplifiers, transceivers, etc.

Specifications

Frequency (MHz)	Bandwidth (MHz)	IL (dB Max.)	Isolation (dB Min.)	VSWR (Max.)	Fwd Power (W Max.)	Rev Power (W)	Connector	Temperature (°C)
20~30	0	2.00	18.0	1.30	100	10~100	SMA, N	-20~+70
30~80	0	1.20	20.0	1.25	100	10~100	SMA, N	-20~+70
30~80	5	1.80	18.0	1.30	100	10~100	SMA, N	-20~+70
54~60	6	1.0	18.0	1.30	100	100* ¹	N	0~+60
60~66	6	0.80	17.0	1.35	100	100* ¹	N	-10~+60
88~108	20	0.60	20.0	1.25	100	10~100	SMA, N	-20~+70
100~140	40	0.80	17.0	1.35	100	100	SMA	0~+60
108~118	10	0.50	20.0	1.20	100	10~100	SMA, N	-20~+70
116~138	22	0.60	20.0	1.25	100	10~100	SMA, N	-20~+70
130~180	50	0.60	20.0	1.25	100	10~100	SMA, N	-20~+70
136~174	38	0.50	20.0	1.25	100	10~100	SMA, N	-20~+70
150~170	20	0.40	20.0	1.20	100	10~100	SMA, N	-20~+70
170~230	60	0.60	20.0	1.25	100	10~100	SMA, N	-20~+70
170~240	70	0.70	18.0	1.30	50	20	SMA	0~+60
225~400	175	0.80	18.0	1.30	100	10~100	SMA, N	-20~+70

[1] Built in resistor for users to solve heat dissipation problems.

Outline Drawings


Unit: mm [inch]

Tolerance: $\pm 0.2\text{mm}$ [$\pm 0.008\text{in}$]

Mechanical

Size*2: 60*60*25.5mm
2.362*2.362*1.004in

Mounting: 4-M4, depth 6mm

[2] Exclude connectors and terminations.

Connector Naming Rules:

N - N Female (Outline A)

S - SMA Female (Outline B)

How To Order**FCI6060E-W-X-Y-Z**

W: Start frequency in MHz

X: Stop frequency in MHz

Y: Reverse power in W

Z: Connector type

Examples:

To order a FCI6060E series Isolator, 100~140MHz, 100W, SMA female, specify FCI6060E-100-140-100-S.

Customization is available upon request.