

# FCI6237A

## High Power, High Isolation

**Features:**

- \* High Power
- \* High Isolation
- \* Low Insertion Loss
- \* Low VSWR

**Applications:**

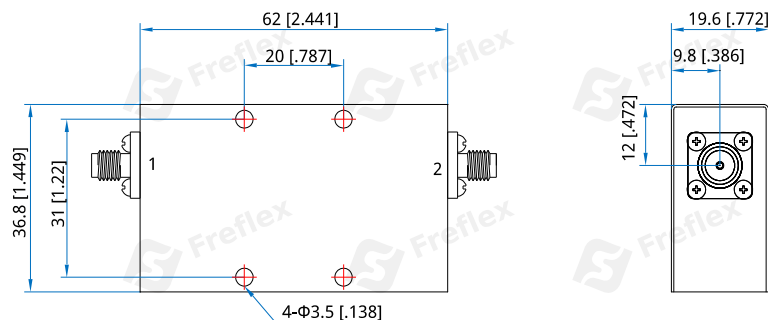
- \* Wireless
- \* Radar
- \* Laboratory Test

**Description**

FCI6237A series Coaxial Isolators cover frequency range 2~8GHz. High power, high isolation and low insertion loss make it ideal for a lot of applications like amplifiers, transceivers, etc.

**Specifications**

Frequency (MHz)	Bandwidth (MHz)	IL (dB Max.)	Isolation (dB Min.)	VSWR (Max.)	Fwd Power (W Max.)	Rev Power (W)	Connector	Temperature (°C)
2000~6000	4000	1.30	14.0	1.60	20	5	SMA	0~+60
2000~8000	6000	1.50	13.0	1.80	20	5	SMA	0~+60

**Outline Drawings**


Unit: mm [inch]      Tolerance:  $\pm 0.2\text{mm}$  [ $\pm 0.008\text{in}$ ]

**Mechanical**

Size\*1: 62\*36.8\*19.6mm  
2.441\*1.449\*0.772in

Mounting: 4-Φ3.5mm through-hole

[1] Exclude connectors and terminations.

**Connector Naming Rules:**

S - SMA Female

**Direction Naming Rules:**

- 1 - Clockwise
- 2 - Anticlockwise

**How To Order**

**FCI6273A-U-V-W-X-Y-Z**

U: Start frequency in MHz

V: Stop frequency in MHz

W: Forward power in W

X: Reverse power in W

Y: Connector type

Z: Direction type

Examples:

To order a FCI6237A series Isolator, 2~6GHz, Forward power 20W, Reverse power 5W, SMA female, Clockwise, specify FCI6237A-2000-6000-20-5-S-1.

Customization is available upon request.