

# FCI6466H

## High Power, High Isolation

**Features:**

- \* High Power
- \* High Isolation
- \* Low Insertion Loss
- \* Low VSWR

**Applications:**

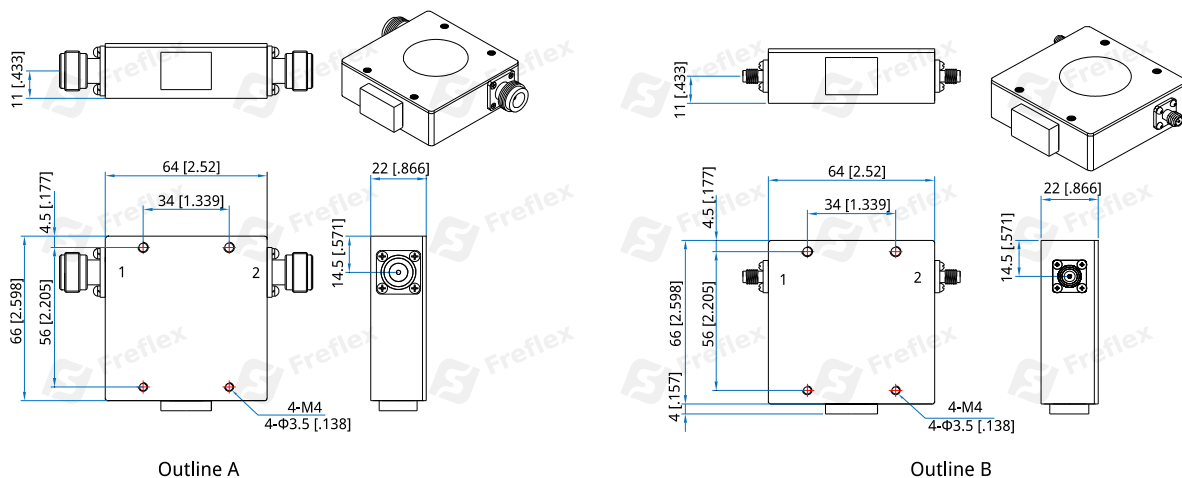
- \* Wireless
- \* Radar
- \* Laboratory Test

**Description**

FCI6466H series Coaxial Isolators cover frequency range 20~400MHz. High power, high isolation and low insertion loss make it ideal for a lot of applications like amplifiers, transceivers, etc.

**Specifications**

Frequency (MHz)	Bandwidth (MHz)	IL (dB Max.)	Isolation (dB Min.)	VSWR (Max.)	Fwd Power (W Max.)	Rev Power (W Max.)	Connector	Temperature (°C)
20~30	0	2.0	18.0	1.30	30	20	SMA, N	0~+60
30~40	0	1.2	20.0	1.25	60	20	SMA, N	0~+60
30~40	9	2.0	18.0	1.30	30	20	SMA, N	0~+60
40~60	0	1.2	20.0	1.25	60	20	SMA, N	0~+60
40~60	15	1.8	18.0	1.30	30	20	SMA, N	0~+60
60~80	3.5	1.2	20.0	1.25	60	20	SMA, N	0~+60
60~80	20	1.6	16.0	1.40	50	20	SMA, N	0~+60
88~108	20	0.6	20.0	1.25	100	100	SMA, N	0~+60
100~140	40	1.2	20.0	1.25	60	60	SMA, N	0~+60
130~180	50	0.6	20.0	1.25	100	100	SMA, N	0~+60
136~174	38	0.5	20.0	1.25	100	100	SMA, N	0~+60
150~170	20	0.4	20.0	1.20	100	100	SMA, N	0~+60
170~230	60	0.6	20.0	1.25	100	100	SMA, N	0~+60
225~400	175	0.8	18.0	1.30	100	100	SMA, N	0~+60

**Outline Drawings**


Unit: mm [inch]

 Tolerance:  $\pm 0.2\text{mm}$  [ $\pm 0.008\text{in}$ ]

**Mechanical**

---

Size <sup>*1</sup> :	64*66*22mm 2.52*2.598*0.866in
Mounting:	4-Φ3.5mm through-hole 4-M4

[1] Exclude connectors and terminations.

**Connector Naming Rules:**

- N - N Female (Outline A)
- S - SMA Female (Outline B)

**Direction Naming Rules:**

- 1 - Clockwise
- 2 - Anticlockwise

**How To Order****FCI6466H-U-V-W-X-Y-Z**

- U: Start frequency in MHz
- V: Stop frequency in MHz
- W: Forward power in W
- X: Reverse power in W
- Y: Connector type
- Z: Direction type

**Examples:**

To order a FCI6466H series Isolator, 30~40MHz, Forward power 30W, Reverse power 20W, SMA female, Clockwise, specify FCI6466H-30-40-30-20-S-1.

Customization is available upon request.