

## FCI9648H

### High Power, High Isolation

Features:  
 \* High Power  
 \* High Isolation  
 \* Low Insertion Loss  
 \* Low VSWR

Applications:  
 \* Wireless  
 \* Radar  
 \* Laboratory Test

### Description

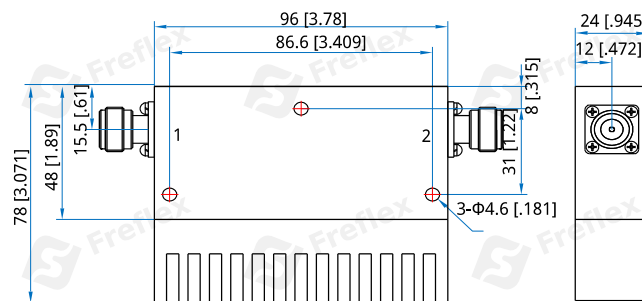
FCI9648H series Coaxial Isolators cover frequency range 350–470MHz. High power, high isolation and low insertion loss make it ideal for a lot of applications like amplifiers, transceivers, etc.

### Specifications

Frequency (MHz)	Bandwidth (MHz)	IL (dB Max.)	Isolation (dB Min.)	VSWR (Max.)	Fwd Power* <sup>1</sup> (W Max.)	Rev Power (W)	Connector	Temperature (°C)
350–370	20	0.50	50.0	1.20	150	100	SMA, N	-30~+70
361–366	5	0.40	60.0	1.15	150	100	SMA, N	-30~+70
380–400	20	0.60	50.0	1.20	150	100	SMA, N	-30~+70
400–430	30	0.60	50.0	1.20	150	100	SMA, N	-30~+70
400–470	70	0.70	40.0	1.25	150	100	SMA, N	-30~+70
438–448	10	0.60	50.0	1.20	150	100	SMA, N	-30~+70
443–453	10	0.60	50.0	1.20	150	100	SMA, N	-30~+70
450–470	20	0.60	50.0	1.20	150	100	SMA, N	-30~+70

[1] The connector is SMA, and the maximum forward power can only reach 100W.

### Outline Drawings



Unit: mm [inch]      Tolerance: ±0.2mm [±0.008in]

### Mechanical

Size\*<sup>2</sup>: 96\*48\*24mm  
 3.78\*1.89\*0.945in

Mounting: 3-Φ4.6mm through-hole

[2] Exclude connectors and terminations.

### Connector Naming Rules:

N - N Female

### Direction Naming Rules:

1 - Clockwise  
 2 - Anticlockwise

### How To Order

**FCI9648H-U-V-W-X-Y-Z**

U: Start frequency in MHz

V: Stop frequency in MHz

W: Forward power in W

X: Reverse power in W



## Dual Junction Coaxial Isolators

Y: Connector type

Z: Direction type

Examples:

To order a FCI9648H series Isolator, 350~370MHz, Forward power 150W, Reverse power 100W, N female, Clockwise, specify FCI9648H-350-370-K15-K1-N-1.

Customization is available upon request.