

## FDCI7038X

### High Power, High Isolation

**Features:**

- \* High Power
- \* High Isolation
- \* Low Insertion Loss
- \* Low VSWR

**Applications:**

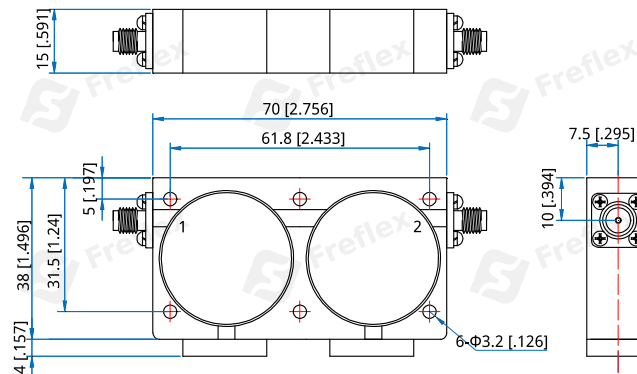
- \* Wireless
- \* Radar
- \* Laboratory Test

**Description**

FDCI7038X series Coaxial Isolators cover frequency range 800~1000MHz. High power, high isolation and low insertion loss make it ideal for a lot of applications like amplifiers, transceivers, etc.

**Specifications**

Frequency (MHz)	Bandwidth (MHz)	IL (dB Max.)	Isolation (dB Min.)	VSWR (Max.)	Fwd Power (W Max.)	Rev Power (W)	Connector	Temperature (°C)
800~1000	200	1.0	35	1.35	100	20	SMA	-30~+70

**Outline Drawings**


Unit: mm [inch]      Tolerance:  $\pm 0.2\text{mm}$  [ $\pm 0.008\text{in}$ ]

**Mechanical**

Size<sup>\*1</sup>: 70\*38\*15mm  
2.756\*1.496\*0.591in

Mounting: 6- $\Phi 3.2\text{mm}$  through-hole

[1] Exclude connectors and terminations.

**Connector Naming Rules:**

S - SMA Female

**Direction Naming Rules:**

- 1 - Clockwise
- 2 - Anticlockwise

**How To Order**

**FDCI7038X-U-V-W-X-Y-Z**

- U: Start frequency in MHz
- V: Stop frequency in MHz
- W: Forward power in W
- X: Reverse power in W
- Y: Connector type
- Z: Direction type

**Examples:**

To order a FDCI7038X series Isolator, 800~1000MHz, Forward power 100W, Reverse power 20W, SMA female, Clockwise, specify FDCI7038X-800-1000-K1-20-S-1.

Customization is available upon request.