

FCT0110K

DC~1GHz, 10000W

Features:
 * Low VSWR
 * Broadband

Applications:
 * Wireless
 * Transmitter
 * Laboratory Test
 * Radar

Electrical

Frequency Range:	DC~1GHz
Average Power:	10000W
Impedance:	50Ω
Peak Power:	100KW (5μS pulse width, 10% duty cycle)

Frequency (GHz)	VSWR (max.)	Connectors
DC-0.7	1.45	L36, L52, 7/16 DIN Male
DC~1	1.45	7/16 DIN Female

Mechanical

Size:	900*400*1030mm 35.433*15.748*40.551in
Weight:	133Kg
Housing:	Aluminum
Outer Conductor:	Nickel plated brass
Male Inner Conductor:	Gold plated brass
Female Inner Conductor:	Gold plated phosphor copper
Coating:	Gray paint
Cooling:	Oil cooling and air cooling

How To Order

FCT0110K-X-Y

X: Frequency in GHz

Y: Connector type

Connector naming rules:

7F - 7/16 DIN Female

7 - 7/16 DIN Male

L4F - L36 Female

L4 - L36 Male

L3F - L52 Female

L3 - L52 Male

Examples:

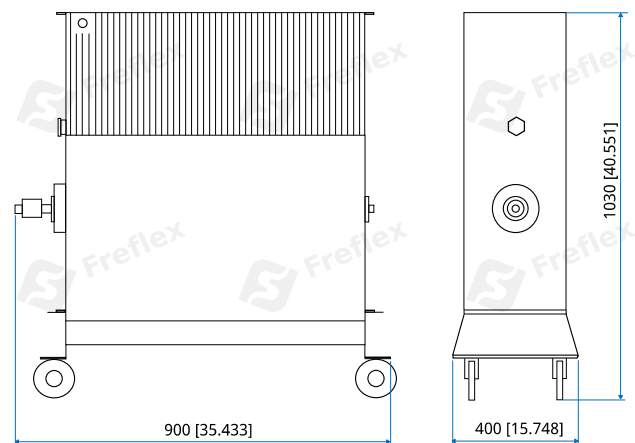
To order an termination, DC~1GHz, 7/16 DIN female, specify FCT0110K-1-7F.

Customization is available upon request.

Environmental

Temperature: -40~+45°C

Outline Drawings



Unit: mm [in]

Tolerance: ±3%

Expain:

Replace the hexagon nut with the exhaust valve before startup, and replace the exhaust valve with the hexagon nut during transportation.