

# FCT041K

## DC~4GHz, 1000W

Features:  
 \* Low VSWR  
 \* Broadband

Applications:  
 \* Wireless  
 \* Transmitter  
 \* Laboratory Test  
 \* Radar

### Electrical

Frequency Range:	DC~4GHz
Average Power*1:	1000W
Impedance:	50Ω
Peak Power:	10KW (5μS pulse width, 10% duty cycle)

[1] Derated linearly to 100W@125°C.

### VSWR

Frequency (GHz)	VSWR (max.)
DC~1	1.2
DC~2	1.25
DC~3	1.4
DC~4	1.5

### Mechanical

Size:	425*410*160mm 16.732*16.142*6.299in
Weight:	20Kg
Housing:	Aluminum
Outer Conductor:	Nickel plated brass
Male Inner Conductor:	Gold plated brass
Female Inner Conductor:	Gold plated beryllium copper
Cooling:	Air cooling

### How To Order

#### FCT041K-X-Y

X: Frequency in GHz

Y: Connector type

Connector naming rules:

NF - N Female

N - N Male

7F - 7/16 DIN Female

7 - 7/16 DIN Male

Examples:

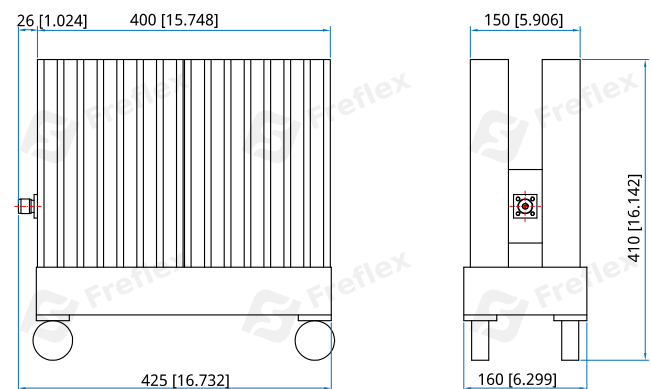
To order an termination, DC~4GHz, 7/16 DIN female, specify FCT041K-4-7F.

Customization is available upon request.

### Environmental

Temperature: -55~+125°C

### Outline Drawings



Unit: mm [in]

Tolerance: ±3%