

FCT041K5

DC~4GHz, 1500W

Features:
 * Low VSWR
 * Broadband

Applications:
 * Transmitters
 * Antennas
 * Laboratory Test
 * Impedance Matching

Electrical

Frequency Range:	DC~4GHz
Average Power ^{*1} :	1500W@25°C
VSWR:	1.2max.@DC~2GHz 1.4 max.@DC~3GHz 1.75 max.@DC~4GHz
Impedance:	50Ω
Peak Power:	10KW (5μS pulse width, 10% duty cycle)

[1] Derated linearly to 150W@125°C.

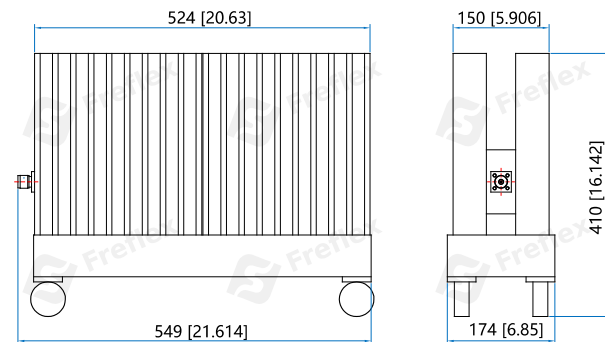
Mechanical

Size:	549*174*410mm 21.614*6.85*16.142in
Weight	32Kg
Connector:	N, 7/16 DIN
Hosing:	Aluminum
Outer Conductor:	Nickel plated brass
Male Inner Conductor:	Gold plated brass
Female Inner Conductor:	Gold Plated Beryllium Copper

Environmental

Temperature:	-40~+45°C
--------------	-----------

Outline Drawings



Unit: mm [in]
 Tolerance: ±3mm [±0.118in]

How To Order

FCT041K5-X-Y

X: Frequency in GHz

Y: Connector type

Connector naming rules:

N - N male

7 -7/16 DIN male

Examples:

To order a termination, DC-4GHz, N male, specify FCT041K5-4-N.

Customization is available upon request.