

FCT063KF

DC~6GHz, 3000W, Fan

Features:
 * Low VSWR
 * Broadband

Applications:
 * Transmitters
 * Antennas
 * Laboratory Test
 * Impedance Matching

Electrical

Frequency Range:	DC~6GHz
Average Power*1:	3000W@25°C
Impedance:	50Ω
Peak Power:	3000W (300μS pulse width, 50% duty cycle)

[1] Derated linearly to 0.2W@125°C.

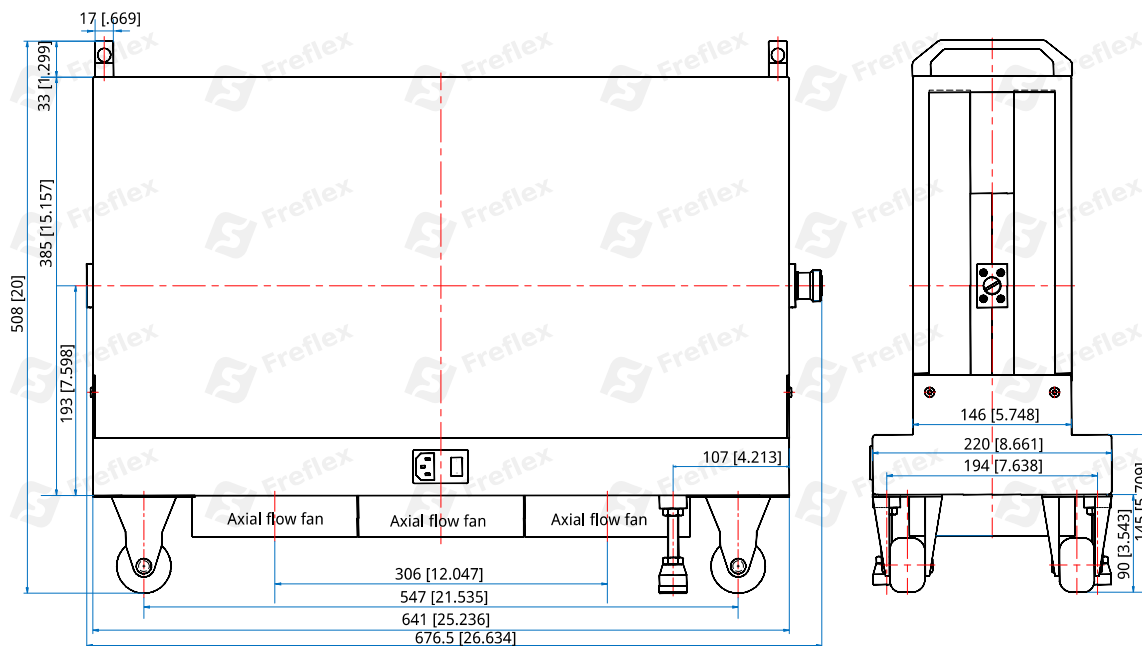
VSWR (max)

Frequency (GHz)	7/16 DIN female
DC~1	1.20
DC~2	1.25
DC~3	1.30
DC~4	1.35
DC~6	1.45

Environmental

Temperature: -55~+125°C

Outline Drawings



Unit: mm [in]

Tolerance: ±2mm [±0.08in]

Mechanical

Size*2: 641*385*220mm
 25.236*15.157*8.661in
 Connectors: 7/16 DIN female

[2] Exclude connectors.

How To Order

FCT063KF-X-Y

X: Frequency in GHz

Y: Connector type

Connector naming rules:

7F - 7/16 DIN female

Examples:

To order a termination, DC-6GHz, 7/16 DIN female, specify FCT063KF-6-7F.

Customization is available upon request.