

FCT1801

DC~18GHz, 1W

Features:
 * Low VSWR
 * Broadband

Applications:
 * Transmitters
 * Antennas
 * Laboratory Test
 * Impedance Matching

Electrical

Frequency Range:	DC~18GHz
Average Power:	1W
Impedance:	50Ω
VSWR:	1.25 max.
Peak Power:	10W

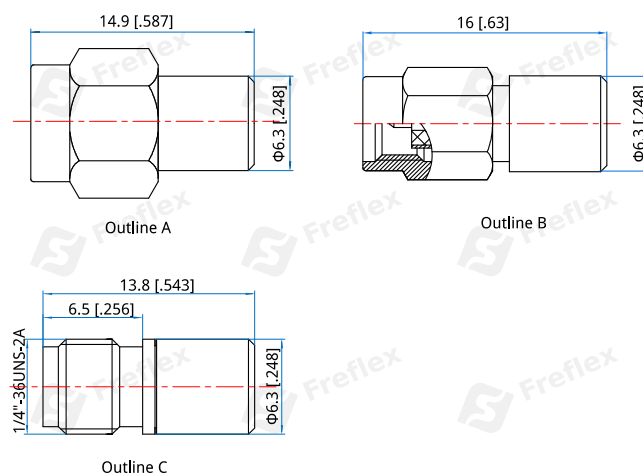
Mechanical

Connector:	SMA , SSMA Male
Mating Life Cycle:	500 cycles
Outer Conductor:	Stainless steel or Brass
Dielectric:	PTFE
Inner Conductor:	Beryllium copper

Environmental

Temperature:	-55~+85°C
	-55~+125°C(SMA)

Outline Drawings



Unit: mm [in]
 Tolerance: $\pm 0.2\text{mm}$ [$\pm 0.008\text{in}$]

How To Order

FCT1801-X-Y

X: Frequency in GHz

Y: Connector type

Connector naming rules:

S - SMA male (Outline A)

A - SSMA male (Outline B)

SF - SMA female (Outline C)

Examples:

To order a termination, DC-18GHz, SMA male, specify FCT1801-18-S.

Customization is available upon request.