

## FCT1802

### DC~18GHz, 2W

Features:  
 \* Low VSWR  
 \* Broadband

Applications:  
 \* Transmitters  
 \* Antennas  
 \* Laboratory Test  
 \* Impedance Matching

#### Electrical

Frequency: DC~18GHz  
 Average Power\*<sup>1</sup>: 2W@25°C max.  
 Impedance: 50Ω

[1] Derated linearly to 0.1W@120°C.

#### VSWR

Frequency (GHz)	Connectors vs VSWR (Max.)		
	N	TNC	SSMA
DC~4	1.2	1.2	1.15
DC~8	1.25	1.25	1.2
DC~12.4	1.3	1.35	1.25
DC~18	1.2	1.4	1.3

#### Mechanical

Connectors: N, TNC, SSMA  
 SMA in FCT2602

#### Environmental

Temperature: -55~+125°C

#### How To Order

##### FCT1802-X-Y

X: Frequency in GHz

Y: Connector type

Connector naming rules:

N - N male (DC~4GHz, DC~8GHz, DC~12.4GHz, N Male, Outline A ;

DC~18GHz, N Male, Outline C)

NF - N female (DC~4GHz, DC~8GHz, DC~12.4GHz, N Female,

Outline B ; DC~18GHz, N Female, Outline D)

T - TNC male (Outline E)

TF - TNC female (Outline F)

A - SSMA male (Outline G)

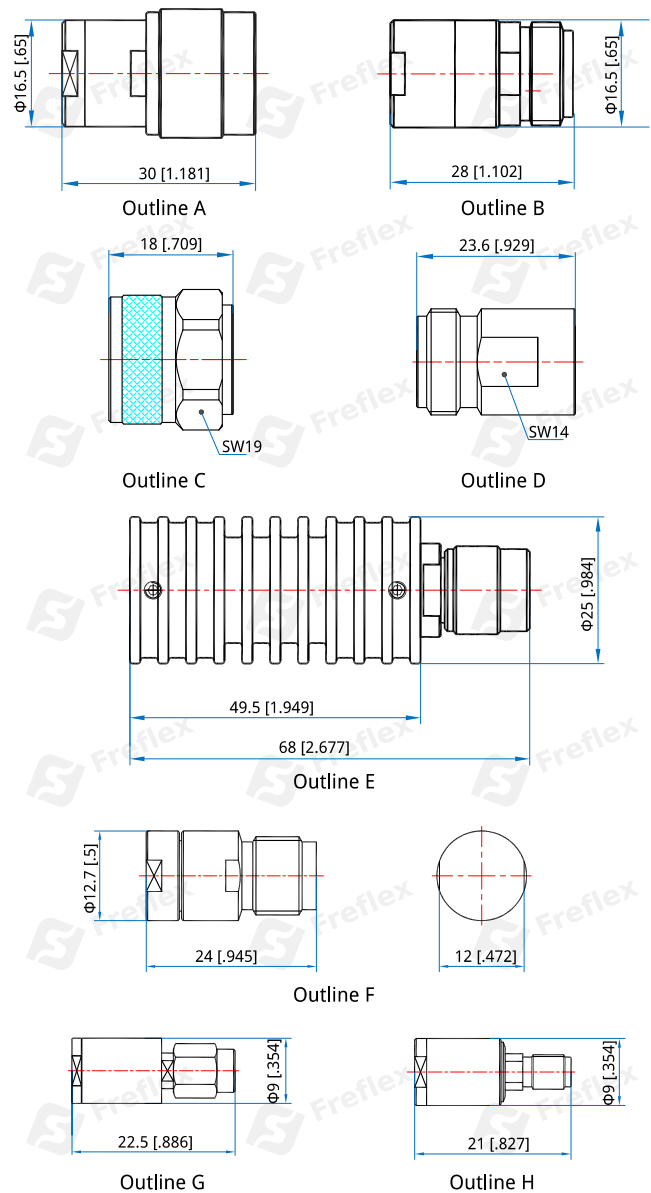
AF - SSMA female (Outline H)

Examples:

To order a termination, DC-12.4GHz, N male, specify FCT1802-12.4-N.

Customization is available upon request.

#### Outline Drawings



Unit: mm [in]

Tolerance: ±1mm [±0.04in]