

FCT2610

DC~26.5GHz, 10W

Features:
 * Low VSWR
 * Broadband

Applications:
 * Transmitters
 * Antennas
 * Laboratory Test
 * Impedance Matching

Electrical

Frequency Range:	DC~26.5GHz
Average Power ^{*1} :	10W@25°C max.
Impedance:	50Ω
VSWR:	1.25 max.
Peak Power:	100W (5μS pulse width, 5% duty cycle) @SMA 1KW (5μS pulse width, 0.5% duty cycle) @3.5mm

[1] Derated linearly to 1W@125°C. (SMA)

[2] Derated linearly to 2W@125°C. (3.5mm)

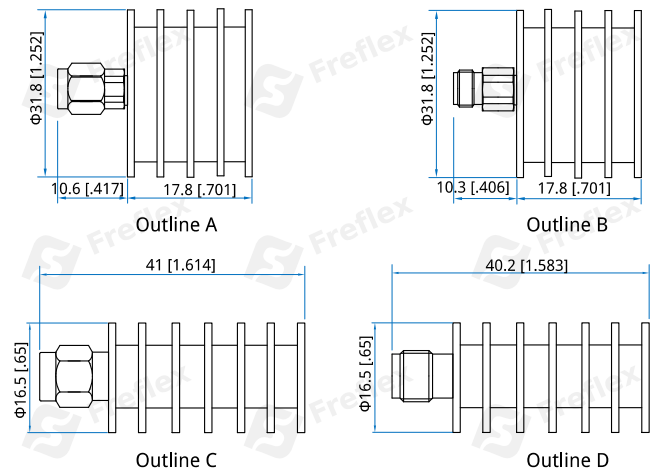
Mechanical

Connectors:	SMA, 3.5mm
Housing:	Aluminum
Outer Conductor:	Gold plated brass or stainless steel
Male Inner Conductor:	Gold plated brass
Female Inner Conductor:	Gold plated beryllium copper

Environmental

Temperature:	-55~+85°C
--------------	-----------

Outline Drawings



Unit: mm [in]
 Tolerance: ±0.5mm [±0.02in]

How To Order

FCT2610-X-Y

X: Frequency in GHz

Y: Connector type

Connector naming rules:

S - SMA male (Outline A)

SF - SMA female (Outline B)

3 - 3.5mm male (Outline C)

3F - 3.5mm female (Outline D)

Examples:

To order a termination, DC-26.5GHz, SMA Male, specify FCT2610-26.5-S.

Customization is available upon request.