

FCT4002

DC~40GHz, 2W

Features:
 * Low VSWR
 * Broadband

Applications:
 * Transmitters
 * Antennas
 * Laboratory Test
 * Impedance Matching



Electrical

Frequency Range: DC~40GHz
 Average Power^{*1}: 2W
 Impedance: 50Ω

[1] Derated linearly to 0.1W@120°C.

VSWR

Frequency (GHz)	2.92mm	SSMA	SMP	SSMP
DC~18	1.2	1.3	1.2	1.2
DC~26.5	1.2	1.3	1.3	1.3
DC~40	1.2	1.3	1.4	1.5

Mechanical

Connectors: 2.92mm, SSMA, SMP, SSMP

Environmental

Temperature: -55~+125°C

How To Order

FCT4002-X-Y

X: Frequency in GHz

Y: Connector type

Connector naming rules:

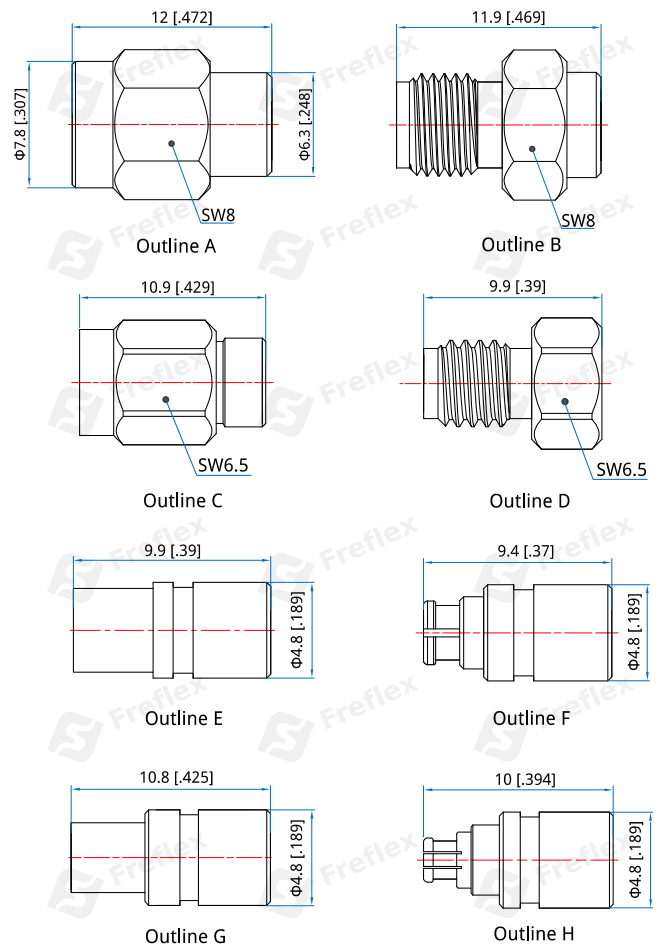
- K - 2.92mm male (Outline A)
- KF - 2.92mm female (Outline B)
- A - SSMA male (Outline C)
- AF - SSMA female (Outline D)
- P - SMP male (Outline E)
- PF - SMP female (Outline F)
- G - SSMP male (Outline G)
- GF - SSMP female (Outline H)

Examples:

To order a termination, DC-40GHz, 2.92mm male, specify FCT4002-40-K.

Customization is available upon request.

Outline Drawings



Unit: mm [in]

Tolerance: $\pm 0.2\text{mm}$ [$\pm 0.008\text{in}$]