

FCT5005

DC~50GHz, 5W

Features:
 * Low VSWR
 * Broadband

Applications:
 * Transmitters
 * Antennas
 * Laboratory Test
 * Impedance Matching

Electrical

Frequency Range:	DC~50GHz
Average Power ^{*1} :	5W@25°C max.
Impedance:	50Ω
VSWR:	1.3 max.
Peak Power:	20W (5μS pulse width, 2.5% duty cycle)

[1] Derated linearly to 0.5W@125°C.

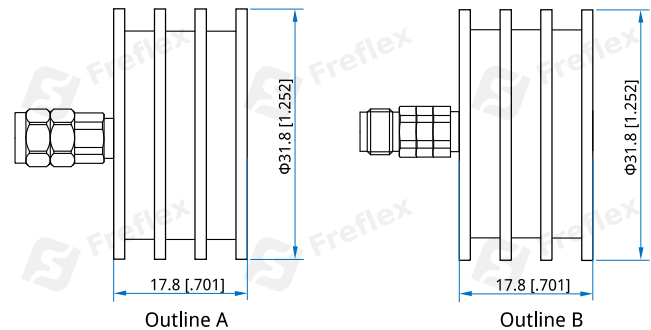
Mechanical

Connector:	2.4mm
Housing:	Aluminum
Outer Conductor:	Stainless steel
Dielectric:	PEI
Male Inner Conductor:	Gold plated brass
Female Inner Conductor:	Gold plated beryllium copper

Environmental

Temperature:	-55~+125°C
--------------	------------

Outline Drawings



Unit: mm [in]
 Tolerance: ±0.5mm [±0.02in]

How To Order

FCT5005-X-Y

X: Frequency in GHz
 Y: Connector type

Connector naming rules:

2 - 2.4mm male (Outline A)
 2F - 2.4mm female (Outline B)

Examples:

To order a termination, DC~50GHz, 2.4mm male, specify FCT5005-50-2.

Customization is available upon request.