

# FCT5020

## DC~50GHz, 20W

**Features:**

- \* Low VSWR
- \* High Attenuation Flatness

**Applications:**

- \* Wireless
- \* Transmitter
- \* Laboratory Test
- \* Radar

**Electrical**

Frequency:	DC-50GHz
VSWR:	1.4 max.
Impedance:	50Ω
Average Power <sup>*1</sup> :	20W@25°C max.
Peak Power:	200W (max. 5μS pulse width, max. 10% duty cycle)

[1] Derated linearly to 2W@125°C.

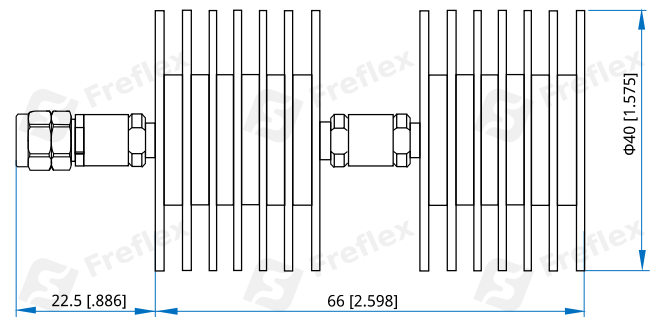
**Mechanical**

Size <sup>*2</sup> :	66*Φ40mm 2.598*Φ1.575in
RF Connectors:	2.4mm
Connector Housing:	Passivated stainless steel
Heat Sinks Housing:	Aluminum black anodize
Dielectric:	PEI
Male Inner Conductor:	Gold plated brass
Female Inner Conductor:	Gold plated beryllium copper

[2] Exclude connectors.

**Environmental**

Operating Temperature:	-55~125°C
Non-Operating Temperature:	-55~125°C

**Outline Drawings**


Outline A

Unit: mm [in]

Tolerance: ±2%

**How To Order**
**FCT5020-X-Y**

X: Frequency in GHz

Y: Connector type

Connector naming rules:

2 - 2.4mm male (Outline A)

2F - 2.4mm female

Examples:

To order a termination, DC-50GHz, 2.4mm male, specify FCT5020-50-2.

Customization is available upon request.