

FCT6705

DC~67GHz, 5W

Features:
 * Low VSWR
 * Broadband

Applications:
 * Transmitters
 * Antennas
 * Laboratory Test
 * Impedance Matching

Electrical

Frequency Range:	DC~67GHz
Average Power ^{*1} :	5W@25°C max.
VSWR:	1.35 max.
Impedance:	50Ω
Peak Power:	20W (5μS pulse width, 2.5% duty cycle)

[1] Derated linearly to 0.5W@125°C.

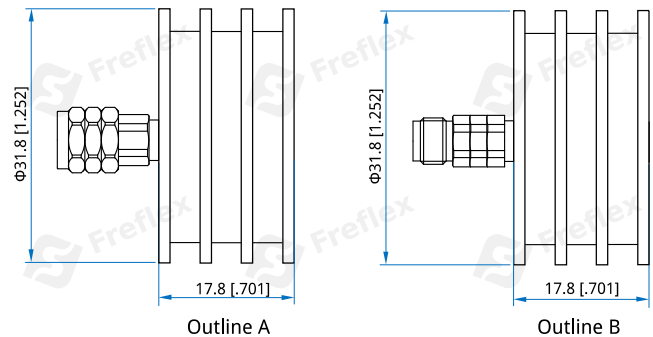
Mechanical

Connector:	1.85mm
Outer Conductor:	Stainless steel
Dielectric:	PEI
Male Inner Conductor:	Gold plated brass
Female Inner Conductor:	Gold plated beryllium copper

Environmental

Temperature:	-55~+125°C
--------------	------------

Outline Drawings



Unit: mm [in]
 Tolerance: ±2mm [±0.08in]

How To Order

FCT6705-X-Y

X: Frequency in GHz

Y: Connector type

Connector naming rules:

V - 1.85mm Male (Outline A)

VF - 1.85mm Female (Outline B)

Examples:

To order a termination, DC-67GHz, 5W, 1.85mm male, specify FCT6705-67-V.

Customization is available upon request.