

# FCT6710

## DC~67GHz, 10W

**Features:**

- \* Low VSWR
- \* High Attenuation Flatness

**Applications:**

- \* Wireless
- \* Transmitter
- \* Laboratory Test
- \* Radar

**Electrical**

Frequency:	DC~67GHz
VSWR:	1.4 max.
Impedance:	50Ω
Average Power* <sup>1</sup> :	10W@25°C max.
Peak Power:	100W (5μS pulse width, 5% duty cycle)

[1] Derated linearly to 1W@125°C.

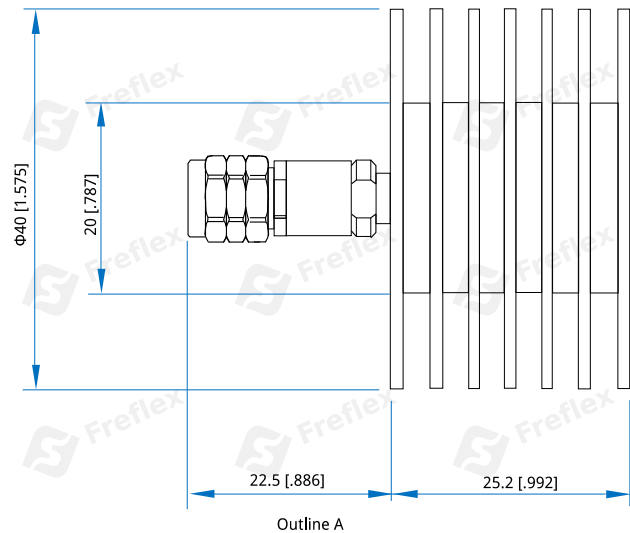
**Mechanical**

RF Connectors:	1.85mm
Connector Housing:	Passivated stainless steel
Heat Sinks Housing:	Aluminum black anodize
Dielectric:	PEI
Male Inner Conductor:	Gold plated brass

[1] Exclude connectors.

**Environmental**

Operating Temperature:	-55~+125°C
Non-Operating Temperature:	-55~+125°C

**Outline Drawings**


Unit: mm [in]

Tolerance: ±2mm [±0.08in]

**How To Order**
**FCT6710-X-Y**

X: Frequency in GHz

Y: Connector type

Connector naming rules:

V - 1.85mm male (Outline A)

VF - 1.85mm female

Examples:

To order a termination, DC-67GHz, 1.85mm male, specify FCT6710-67-V.

Customization is available upon request.