

## FCFA4002

### DC~40GHz, 2W

**Features:**

- \* Low VSWR
- \* High Attenuation Flatness

**Applications:**

- \* Wireless
- \* Transmitter
- \* Laboratory Test
- \* Radar

**Electrical**

Frequency:	DC~40GHz
Attenuation:	1~10, 20, 30dB
VSWR:	1.25 max.
Impedance:	50Ω
Average Power <sup>*1</sup> :	2W@25°C max.
Peak Power:	20W (5μS pulse width, 0.5% duty cycle)

[1] Derated linearly to 0.5W@125°C.

**Attenuation Accuracy and VSWR**

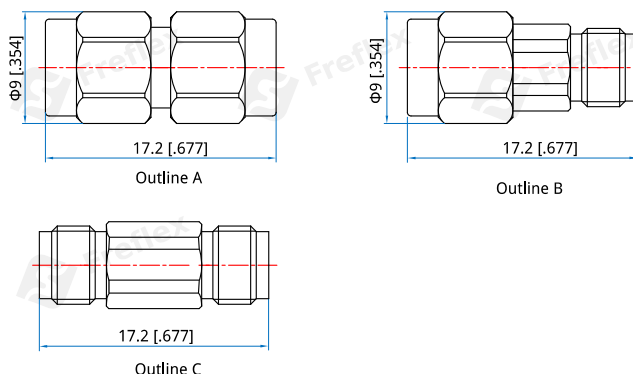
Frequency (GHz)	Attenuation Accuracy (±dB) vs. Attenuation (dB)		
	1~10	20	30
DC~40	-1.0/+1.0	-1.0/+1.0	-1.0/+1.0

**Mechanical**

RF Connectors:	2.92mm
Outer Conductor:	Passivated stainless steel
Dielectric:	PEI
Inner Conductor(Female):	Gold plated beryllium copper
Inner Conductor(Male):	Gold plated brass

**Environmental**

Operating Temperature:	-269~+125°C
Non-operating Temperature:	-55~+125°C

**Outline Drawings**


Unit: mm [in]  
Tolerance: ±0.2mm [±0.008in]

**How To Order**

**FCFA4002-40-Y-Z**

Y: Attenuation in dB

Z: Connector type

Connector naming rules:

KK - 2.92mm male&2.92mm male - Outline A

K - 2.92mm male&2.92mm female - Outline B

KFKF - 2.92mm female&2.92mm female - Outline C

Examples:

To order an attenuator, DC~40GHz, 2.92mm male to 2.92mm female, 3dB attenuation, specify FCFA4002-40-3-K.