

FDB-10-67000-VVF

0.01~67GHz

Features:
 * Broadband
 * Low VSWR

Applications:
 * Telecom
 * Instrumentation
 * Laboratory Test
 * Radar

Electrical

Frequency:	0.01~67GHz
VSWR:	1.5 max.
Insertion Loss:	0.9dB max.
Voltage:	50V DC max.
Impedance:	50Ω

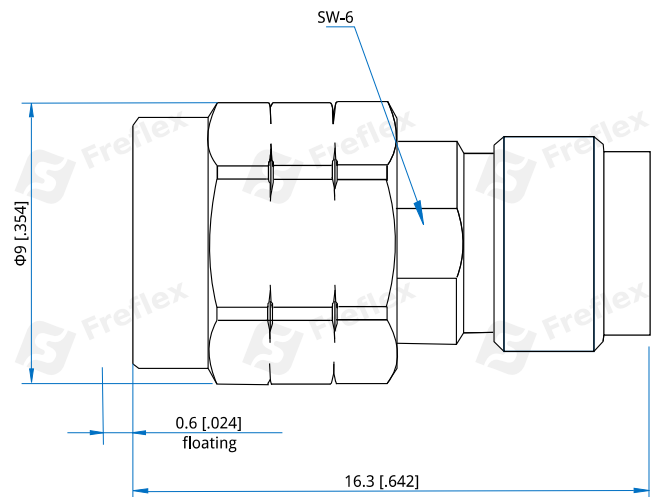
Mechanical

Length:	16.3mm 0.642in
Connector:	1.85mm Male 1.85mm Female
Outer Conductor:	Passivated stainless steel
Dielectric:	PEI
Inner Conductor:	Gold plated beryllium copper (Female) Gold plated brass (Male)

Environmental

Temperature:	-55~+100°C
--------------	------------

Outline Drawings



Unit: mm [in]

Tolerance: ±0.2mm [±0.008in]

How To Order

FDB-10-67000-VVF

Customization is available upon request.