

# FDB-100-6000-3K-77F

## 0.1~6GHz

Features:  
 \* Broadband  
 \* Low VSWR

Applications:  
 \* Telecom  
 \* Instrumentation  
 \* Laboratory Test  
 \* Radar

### Electrical

Frequency Range: 0.1~6GHz  
 IP3: -158dBc  
 Impedance: 50Ω  
 Voltage: 3000V max.

Frequency (GHz)	Insertion Loss (dB max.)	VSWR (max.)
0.1~3	0.2	1.15
3~6	0.3	1.25

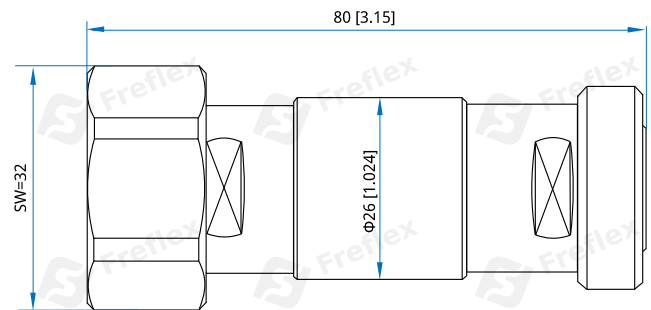
### Mechanical

Length: 80mm  
 3.15in  
 Connectors: 7/16 male  
 7/16 female  
 Outer Conductors: Ternary plated copper  
 Female Inner Conductors: Silver Plated Copper  
 Male Inner Conductors: Silver Plated Copper

### Environmental

Operating Temperature: -45~+55°C

### Outline Drawings



Unit: mm [in]  
 Tolerance: ±0.2mm [±0.008in]

**How To Order**  
**FDB-100-6000-3K-77F**

Customization is available upon request.