

FWD-10

WR-10, 75~110GHz

Features:
 * Broadband
 * High Sensitivity

Applications:
 * Telecom
 * Instrumentation
 * Laboratory Test
 * Radar

Electrical

Frequency Range:	75~110GHz
Sensitivity:	0.1mV/uW typ.
Flatness:	±2.2dB
Polarity:	Negative
Input Power Without Damage:	20dBm
Rise Time:	10nS
Falling Time:	10nS

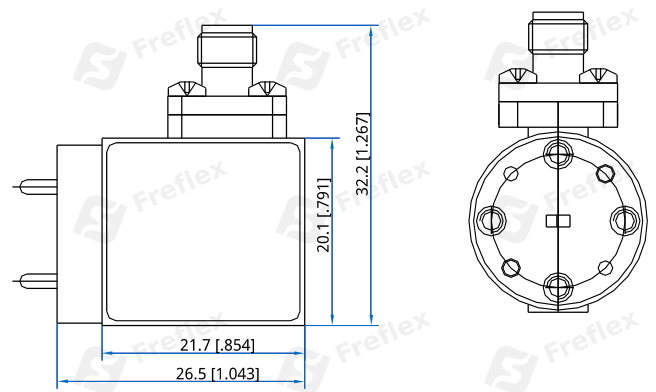
Mechanical

Size:	26.5*32.2mm 1.043*1.276in
Input Connector:	WR-10 (BJ900)
Output Connector:	SMA Female

Environmental

Operating Temperature:	-20~+70°C
Non-operating Temperature:	-40~+85°C

Outline Drawings



Unit: mm [in]
 Tolerance: ±0.2mm [±0.008in]

How To Order

FWD-10

Customization is available upon request.