

FWD-28

WR-28, 26.5~40GHz

Features:

- * Broadband
- * High Sensitivity

Applications:

- * Telecom
- * Instrumentation
- * Laboratory Test
- * Radar

Electrical

Frequency Range:	26.5~40GHz
Sensitivity:	300mV/mW typ.
Flatness:	±1.5dB
Polarity:	Negative
Input Power Without Damage:	+20dBm
Rise Time:	10nS
Falling Time:	10nS

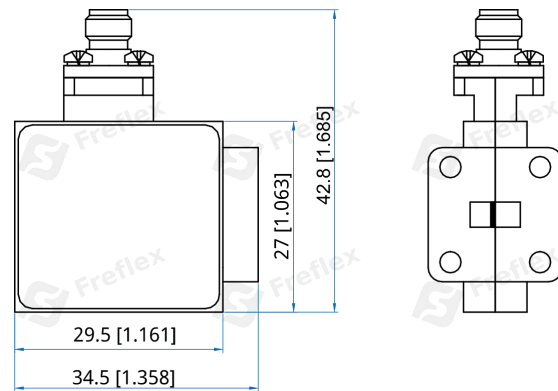
Mechanical

Input Connector:	WR-28 (BJ320)
Output Connector:	SMA Female

Environmental

Operating Temperature:	-20~+70°C
Non-operating Temperature:	-40~+85°C

Outline Drawings



Unit: mm [in]

Tolerance: ±0.2mm [±0.008in]

How To Order

FWD-28

Customization is available upon request.