

FDPS-25000-27000-270-2

25~27GHz, 270°, 2Bits

Features:
 * Broadband
 * High Reliable

Applications:
 * Laboratory Test
 * Instrumentation

Electrical

Frequency:	25~27GHz
Insertion Loss:	10.5dB max.
Inband flatness:	±2dB max.
Phase Range:	270° max.
Control Bits:	2 Bits
Step:	90° typ.
Phase Accuracy:	±3° max.
VSWR:	2.5 max.
Voltage/Current:	-5V/0.1A
Control Voltage:	TTL=0@0V, TTL=1@+5V
Impedance:	50Ω

Mechanical

Size*1:	35*45*12mm 1.378*1.772*0.472in
RF Connectors:	2.92mm Female
Control Connector:	J30J-9ZKP

[1] Exclude connectors.

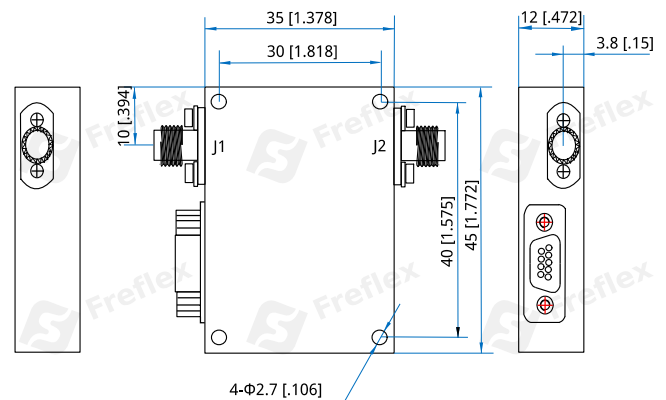
Environmental

Operating Temperature:	-40~+60°C
Non-operating Temperature:	-55~+70°C

Control True Table

Pin 1	Pin 2	Pin 3	Pin 4	Pin 5	Pin 6	Pin 7	Pin 8	Pin 9
NC	NC	NC	NC	90°	180°	-5V	NC	GND

Outline Drawings



Unit: mm [in]

Tolerance: ±0.2mm [±0.008in]

How To Order

FDPS-25000-27000-270-2

Customization is available upon request.