

FDPS-7000-9000-360-7

7~9GHz, 360°, 7Bits

Features:
 * Broadband
 * High Reliable

Applications:
 * Laboratory Test
 * Instrumentation

Electrical

| | |
|------------------|--------------|
| Frequency: | 7~9GHz |
| Insertion Loss: | 14dB max. |
| Inband flatness: | ±1.5dB max. |
| Input Power: | 10dBm max. |
| Phase Range: | 360° max. |
| Control Bits: | 7 Bits |
| Step: | 2.8125° typ. |
| Phase Accuracy: | ±3% max. |
| On/Off Delay: | 100nS max. |
| VSWR: | 2.2 max. |
| Voltage/Current: | -5V/0.1A |
| Impedance: | 50Ω |

Mechanical

| | |
|----------------------|-----------------------------------|
| Size ^{*1} : | 35*45*12mm 1.378*1.772*0.472in |
| RF Connectors: | 2.92mm Female |

[1] Exclude connectors.

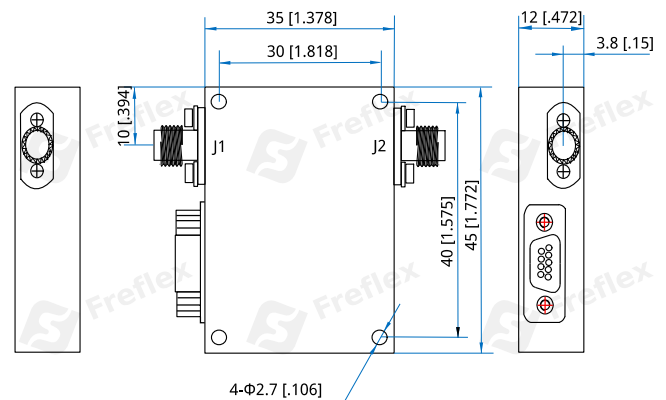
Environmental

| | |
|----------------------------|-----------|
| Operating Temperature: | -40~+60°C |
| Non-operating Temperature: | -55~+70°C |

Control True Table

| Pin 1 | Pin 2 | Pin 3 | Pin 4 | Pin 5 | Pin 6 | Pin 7 | Pin 8 | Pin 9 |
|---------|--------|--------|-------|-------|-------|-------|-------|-------|
| 2.8125° | 5.625° | 11.25° | 22.5° | 45° | 90° | 180° | -5V | GND |

Outline Drawings



Unit: mm [in]

Tolerance: ±0.2mm [±0.008in]

How To Order

FDPS-7000-9000-360-7

Customization is available upon request.