

# FDC1313M

## High Power, High Isolation

Features:  
 \* High Power  
 \* High Isolation  
 \* Low Insertion Loss  
 \* Low VSWR

Applications:  
 \* Wireless  
 \* Radar  
 \* Laboratory Test

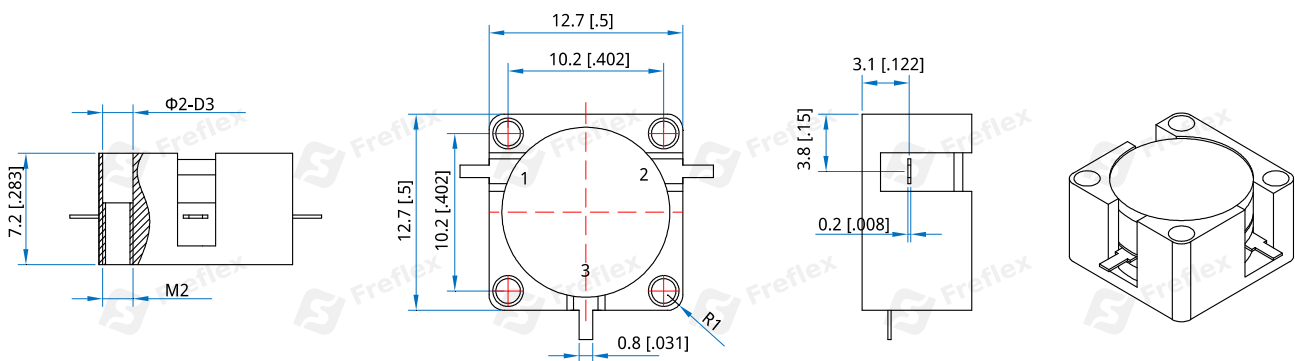
### Description

FDC1313M series Drop-In Circulators cover frequency range 1.7~6GHz. High power, high isolation and low insertion loss make it ideal for a lot of applications like amplifiers, transceivers, etc.

### Specifications

Frequency (MHz)	Bandwidth (MHz)	Insertion Loss (dB Max.)	Isolation (dB Min.)	VSWR (Max.)	Average Power (W)	Temperature (°C)
1710~1785	75	0.30	23.0	1.20	60~100	-30~+70
1805~1880	75	0.30	23.0	1.20	60~100	-30~+70
1805~1920	115	0.40	20.0	1.25	60~100	-30~+70
1880~1920	40	0.30	23.0	1.20	60~100	-30~+70
2110~2170	60	0.30	23.0	1.20	60~100	-30~+70
2300~2400	100	0.30	23.0	1.20	60~100	-30~+70
2400~2500	100	0.30	23.0	1.20	60~100	-30~+70
2500~2700	200	0.30	23.0	1.20	60~100	-30~+70
2700~2900	200	0.30	23.0	1.20	60~100	-30~+70
2900~3100	200	0.30	23.0	1.20	60~100	-30~+70
3000~5000	200	0.35	20.0	1.25	60~100	-30~+70
3250~3450	200	0.35	20.0	1.25	60~100	-30~+70
3300~3500	200	0.35	20.0	1.25	60~100	-30~+70
3500~3650	150	0.35	20.0	1.25	60~100	-30~+70
5100~5900	800	0.45	18.0	1.30	60~100	-30~+70
5700~5900	200	0.40	20.0	1.25	60~100	-30~+70

### Outline Drawings



Unit: mm [inch]      Tolerance: ±0.2mm [±0.008in]

**Mechanical**

---

Size*1:	12.7*12.7*7.2mm 0.5*0.5*0.283in
Connector Type:	Strip line
Mounting:	Φ2mm depth 3mm M2

[1] Exclude connectors

**Direction Naming Rules:**

- 1 - Clockwise
- 2 - Anticlockwise

**How To Order****FDC1313M-W-X-Y-Z**

W: Start frequency in MHz

X: Stop frequency in MHz

Y: Average Power in W

Z: Direction type

**Examples:**

To order a FDC1313M series Circulator, 2400~2500MHz, 100W, Clockwise, specify FDC1313M-2400-2500-K1-1.

Customization is available upon request.