

FDC1313TB

High Power, High Isolation

Features:
 * High Power
 * High Isolation
 * Low Insertion Loss
 * Low VSWR

Applications:
 * Wireless
 * Radar
 * Laboratory Test

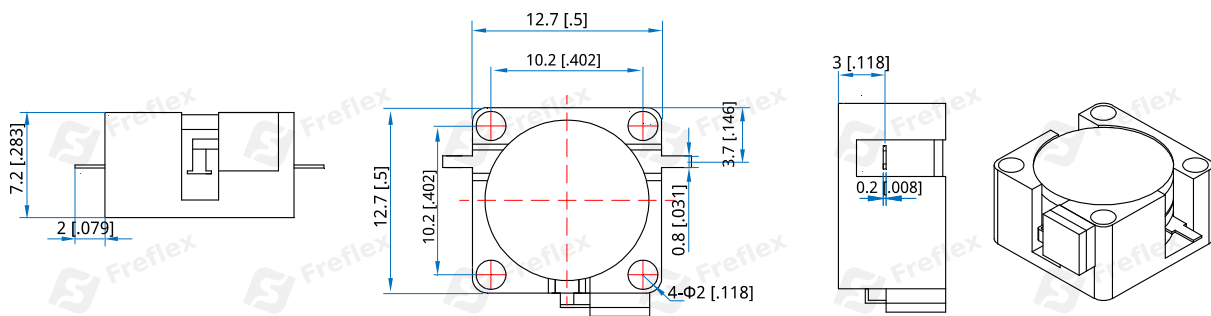
Description

FDC1313TB series Drop-In Circulators cover frequency range 2.11~2.17GHz. High power, high isolation and low insertion loss make it ideal for a lot of applications like amplifiers, transceivers, etc.

Specifications

Frequency (MHz)	Bandwidth (MHz)	Insertion Loss (dB Max.)	Isolation (dB Min.)	VSWR (Max.)	Average Power (W)	Temperature (°C)
2110~2170	60	0.30	20.0	1.25	50	-40~+125

Outline Drawings



Unit: mm [inch] Tolerance: ±0.2mm [±0.008in]

Mechanical

Size*1: 12.7*12.7*7.2mm
 0.5*0.5*0.283in
 Connector Type: Strip line
 Mounting: 4-Φ2mm through-hole

[1] Exclude connectors

Direction Naming Rules:

1 - Clockwise
 2 - Anticlockwise

How To Order

FDC1313TB-W-X-Y-Z

W: Start frequency in MHz
 X: Stop frequency in MHz
 Y: Average Power in W
 Z: Direction type

Examples:

To order a FDC1313TB series Circulator, 2110~2170MHz, 50W, Clockwise, specify FDC1313TB-2110-2170-50-1.

Customization is available upon request.